

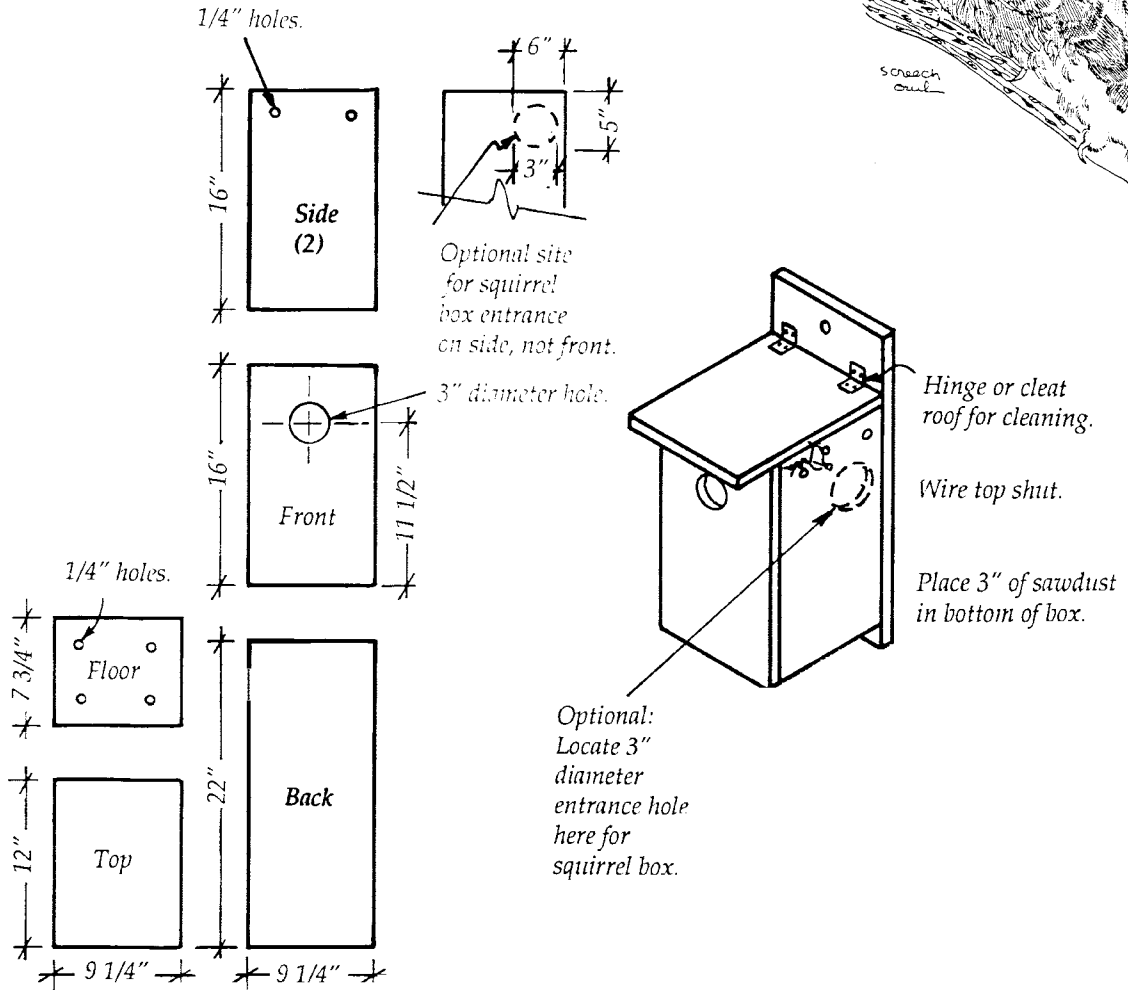
Screech Owl Nest Box Placement & Care

Place boxes at least 10' above ground.

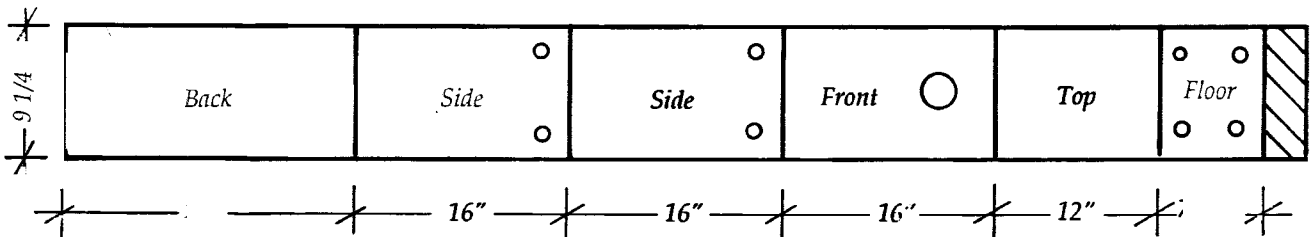
If squirrels are a problem, erect boxes on metal poles.

Pour 2-3" of wood chips or shavings in the bottom of each box.

Check boxes annually. Remove leaves and other debris found in boxes.



Lumber: One



For more information, contact the Georgia Department of Natural Resources,
Wildlife Resources Division, Nongame Endangered Wildlife Program,
Rum Creek Drive, Forsyth, Georgia 31029