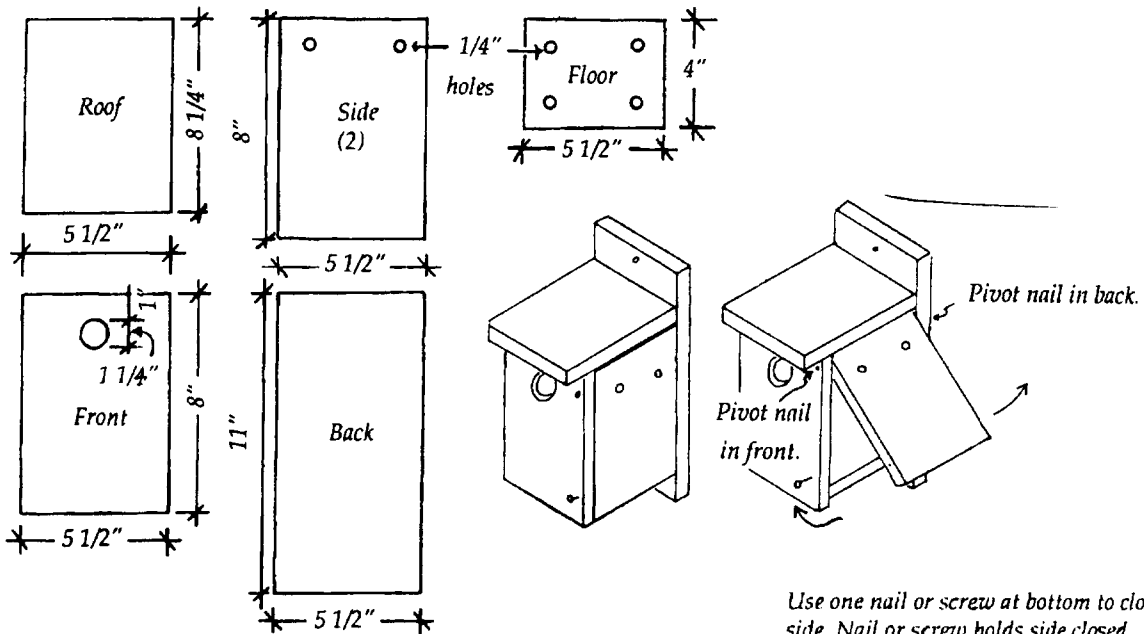
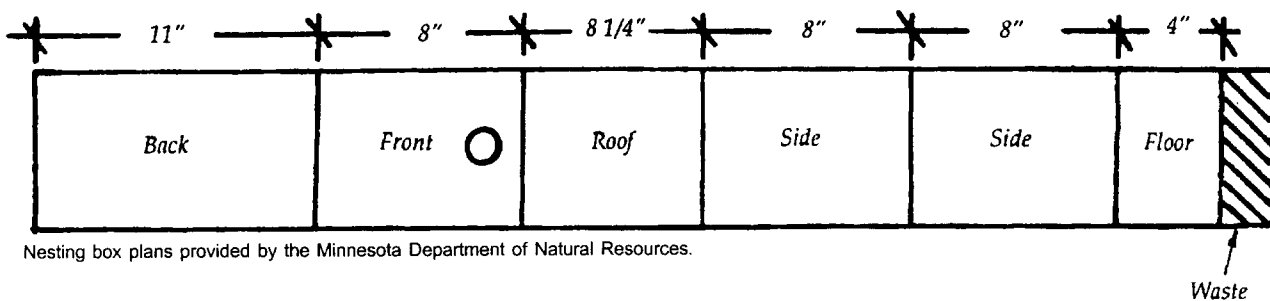


Brown-headed Nuthatch Nesting Boxes

- Place boxes in open pine woodlands and backyards. Nuthatches will nest in the shade.
- Mount boxes at least 5 feet above ground on a pole or post equipped with a predator guard.
- Boxes that appear weathered or constructed of rough-hewn lumber are preferred by nuthatches before other types of boxes.
- Place 2 to 3 inches of dry sawdust in the box.



Lumber: One 1" x 6" x 4'0".



Nesting box plans provided by the Minnesota Department of Natural Resources.

For more information, contact the Georgia Department of Natural Resources, Wildlife Resources Division, Nongame Wildlife/Natural Heritage Section, Nongame-Endangered Wildlife Program, 116 Rum Creek Drive, Forsyth, GA 31029, (478) 994-1438, www.georgiawildlife.com



This publication was funded by The Environmental Resources Network, Inc. (T.E.R.N.), Friends of the Nongame-Endangered Wildlife Program.