

MARK WILLIAMS
COMMISSIONER

DOUG HAYMANS
DIRECTOR

NOV 14 2018

Blair Webb

Sea Island Acquisition, LLC

PO Box 30351

Sea Island, GA 31561

**Re: Letter of Permission for Temporary Tents, Structures, and Activities, Sea Island Beach Club, Sea Island, Atlantic Ocean, Glynn County, Georgia
GPS: (31.17842°N/81.34838°W)**

Dear Mr. Webb:

This Letter of Permission (LOP) is in response to your request, received November 14, 2018, to erect temporary tents on the existing lawn and terrace at the Sea Island Beach Club for group and holiday events starting on April 9, 2019 and ending September 30, 2019. The request also includes the placement of temporary structures for Memorial Day and July Fourth events. All components of this request are within Shore Protection Act (SPA) jurisdiction at the Sea Island Beach Club.

The temporary tents for the group and holiday events will be erected starting April 9, 2019 through September 30, 2019. According to your request, the tents will be located landward of the dunes, on the existing manicured masonry terrace and lawn at the Beach Club. Equipment required to deliver and assemble the tents include a forklift, a one-ton pickup truck, a 24ft. enclosed trailer, and a flatbed trailer. Tent materials, including air conditioning equipment, will be delivered on pallets stored on a flatbed trailer. A forklift will off-load materials and equipment for assembly at the Beach Club site.

The Memorial Day and July Fourth temporary structures include an 8ft. x 10ft. lemonade stand, a 16ft. x 24ft. temporary stage, and inflatable play structures. The lemonade stand and inflatable structures will be set up on the lawn area, and the temporary stage will be set up on the existing dry sand beach. All temporary structures will be transported by a four wheel drive vehicle with a 12ft. trailer. Set up of the temporary structures for Memorial Day will occur May 20, 2019 and removal will occur on May 31, 2019. Set up for the temporary structures for July Fourth will occur on June 28, 2019 and removal will occur on July 8, 2019. Electrical services for the temporary structures will be provided via temporary portable panels that are connected to the existing building. Attached are specifications for support system and assembly of the temporary stage.

The July Fourth event will also include the use of a temporary fireworks launch trailer. The fireworks launch trailer will be 8ft. x 16ft. and will be transported by a four-wheel drive vehicle to the location depicted on the attached drawing (Exhibit B). The trailer will be the launch area for the fireworks display and will be staged landward of the ordinary high-water mark and seaward of the dunes in an un-vegetated area. Setup and removal of the fireworks launch trailer will take place

NOV 14 2018

on July 4, 2019. Removal will occur immediately after the fireworks display or, in the event of rain or other unforeseen events, within the following week but no later than July 8, 2019. The approved DNR vehicle access route will be used for the transport of the above described equipment. No dunes or dune vegetation will be disturbed during the transport or set up of any of the structures.

The Department authorizes the placement of the temporary tents, structures, and activities as depicted in the attached description and drawings and has no objection to the actions, provided Best Management Practices (BMP's) are used. **No unauthorized equipment, materials, or debris may be placed, disposed of, or stored in jurisdictional areas.** Any incidental damage to dunes or dune vegetation will require restoration to be coordinated through this office. This LOP is valid for the above referenced projects. Any change in the use, location, dimensions, or configuration of the approved project, without prior notification and approval from this office could result in revocation of this permission and in the required removal of the related structures.

Because the project occurs between May 1st and October 31st, turtle nesting season, an individual with a DNR Sea Turtle Cooperators Permit must survey the area prior to the work beginning.

This LOP does not relieve you from obtaining any other federal, state, or local permits. If you have any further questions or concerns in regards to this or any other projects, please feel free to contact Jordan Dodson at (912) 264-7218.

Sincerely,



Jill Andrews
Chief, Coastal Management Section

Enclosures: Project Description and Drawings
File: LOP20180170

Dodson, Jordan

From: Noble, Josh
Sent: Wednesday, November 14, 2018 8:13 AM
To: Dodson, Jordan
Subject: FW: DNR LOP Activities from 4/9/2019 thru 9/30/2019
Attachments: Scan from CS3050ci

Jordan,

Please see the request below.

Thanks,
Josh

From: Kathy Hutcheson [mailto:KathyHutcheson@seaisland.com]
Sent: Tuesday, November 13, 2018 4:32 PM
To: Noble, Josh <Josh.Noble@dnr.ga.gov>
Cc: Bill McHugh <BillMcHugh@seaisland.com>; Bill Edenfield <BillEdenfield@seaisland.com>; Rachael Strickland <RachaelStrickland@seaisland.com>; Michael Kennedy <MichaelKennedy@seaisland.com>; Blair Webb <BlairWebb@seaisland.com>
Subject: RE: DNR LOP Activities from 4/9/2019 thru 9/30/2019

CAUTION: This email originated from outside of the organization. Do not click links or open attachments unless you recognize the sender and know the content is safe.

THIS EMAIL SENT ON BEHALF OF BLAIR WEBB

Dear Josh,

On behalf of Sea Island Acquisition, I respectfully request a Letter of Permission for the following activities at the Sea Island Beach Club:

(Please see Exhibits A & B attached.)

For the events set forth below, all of which will be on the upland, access will be via the existing DNR Approved Beach Access Route.

- Equipment required to deliver and assemble the tents include a forklift, a one-ton pickup truck, a 24' enclosed trailer, and/or a flatbed trailer.
- Tent materials, including air conditioning equipment, will be delivered on palettes stored on a flatbed trailer.
- A forklift will off-load materials and equipment for assembly at the Beach Club Site.
- The erection of a Temporary Tent on existing lawns and terraces for the events to take place on the following dates:

<u>Event Type</u>	<u>Start Date</u>	<u>End Date</u>
Holiday/Group	4/9/2019	9/30/2019 (See July 4 th Fireworks, Memorial Day and July 4 th Temporary Structures)

July 4th Fireworks Trailer (Set Up: 7/4/2019 – Removal: 7/8/19)

The 8'x16' fireworks launch trailer will be set on existing hard-packed sand beach. The trailer will be transported by a 4 wheel drive Jeep and delivered to the beachfront site. (See attached exhibits). Set up will take place 7/4/2019. Removal will take place directly after the fireworks display or, in the event of rain or other unforeseen events, within the following week but no later than July - 8, 2019. No dunes or dune vegetation will be disturbed.

Memorial Day Temporary Structures (Set Up: 5/20/2019 - Tear Down: 5/31/2019) and July 4th Temporary Structures (Set Up 6/28/2019- Tear Down 7/8/2019)

The 8' x 10' Lemonade Stand by Sweet GA Sips and Inflatable play structures will be set up on the lawn area. The 16'x24' temporary stage will be set up on the existing hard-packed sand beach. Both temporary structures will be transported to its location by a 4 wheel drive pickup truck and attached a 12' trailer. See attached specifications for support system and assembly. No dunes or dune vegetation will be disturbed. Electrical services are provided via temporary portable panels that are connected to the existing building.

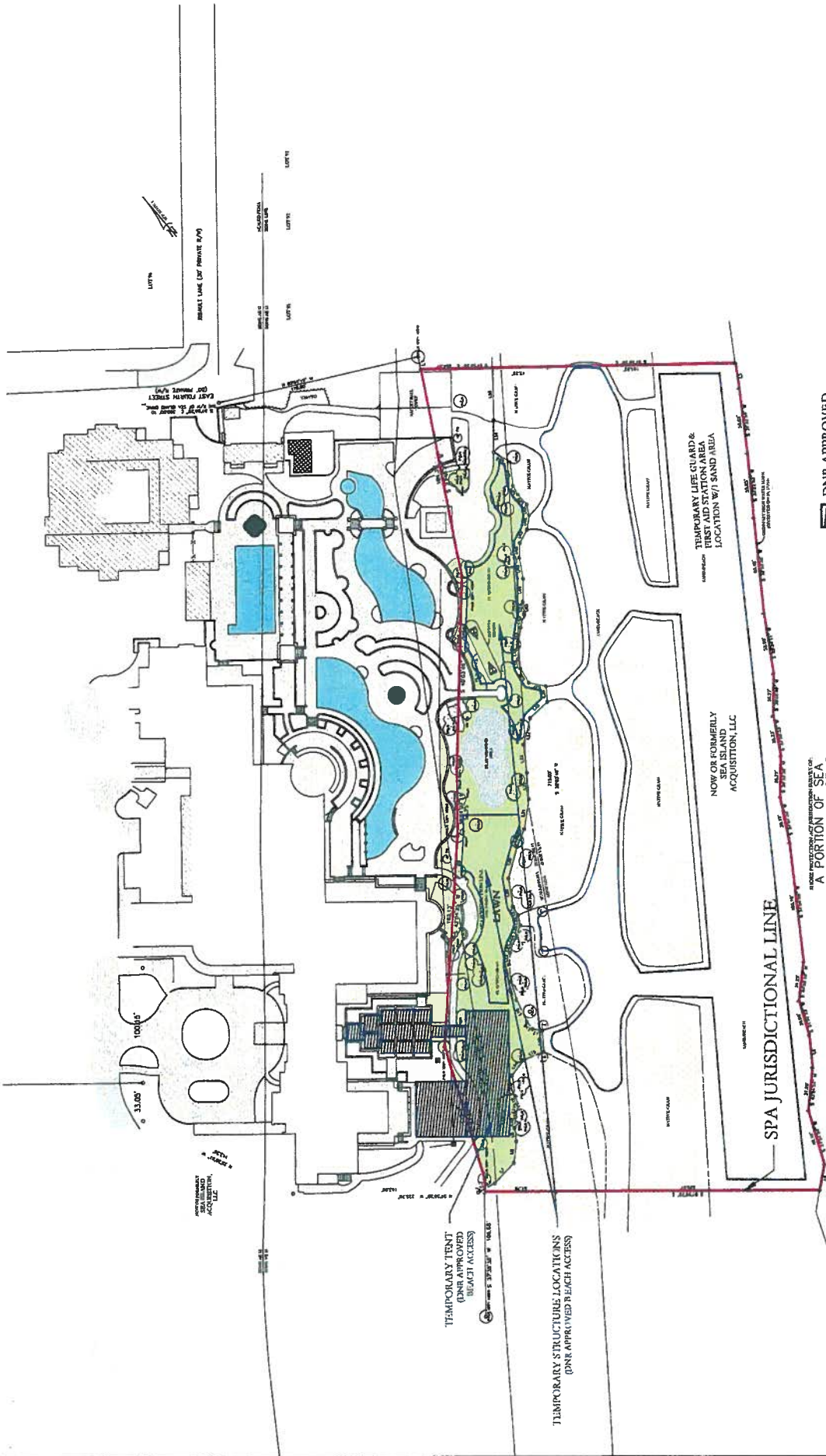
Given vehicle sizes and mobility requirements, the only feasible access to the Beach Club site, for certain of the events enumerated above, is along the existing DNR approved access route as illustrated on the attached exhibit B. For other events listed, access is available through the Beach Club entrance. No dunes or dune vegetation will be disturbed.

Blair Webb
Sea Island Acquisition, LLC
M: 912-602-2486
blairwebb@seaisland.com

Kathy Hutcheson
Executive Administrative Assistant
Sea Island Acquisition, LLC
P: 912-291-4519 M: 912-266-5122
kathyhutcheson@seaisland.com
P.O. Box 30351, Sea Island, GA 31561

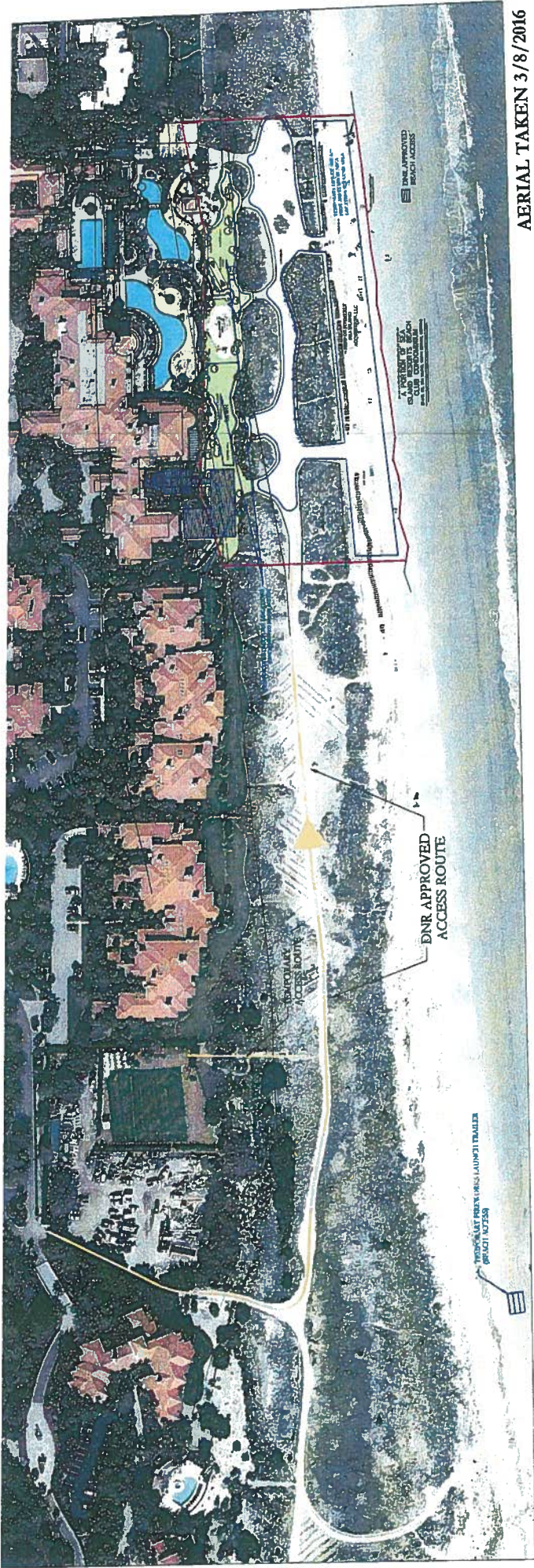
Experience Sea Island at seaisland.com





REAL ESTATE DEVELOPMENT, LLC
 SEA ISLAND RESORTS BEACH CLUB CONDOMINIUM
 (P.L.D. 25, SEA ISLAND, SEYMOUR COUNTY, GEORGIA)

DNR LETTER OF PERMISSION (LOP) EXHIBIT A
 Sea Island Beach Club
 SCALE: 1" = 80'



AERIAL TAKEN 3/8/2016

DNR LETTER OF PERMISSION (LOP) EXHIBIT B
Sea Island Beach Club

SCALE: 1" = 150'

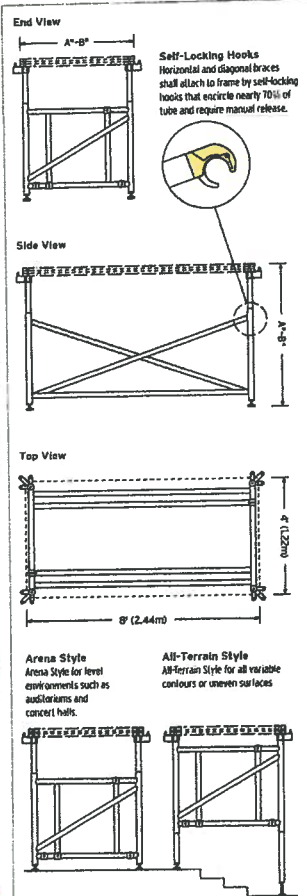
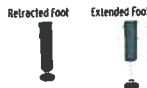
PRODUCT
ME-1000 Support System

Features and Benefits

- Stores Compactly**
- Use minimal storage space (for example, supports for a 40' x 60' stage store in 64 square feet).
- Decks Bridge Between Support Assemblies**
- Save time with fewer supports to set up and tear down.
 - Greatly reduce leveling time with 75% fewer elements in contact with the floor.
 - Minimize your initial investment and storage space requirements because fewer supports are required.
 - Utilize convenient, unobstructed storage space beneath the stage.
- Retractable Locator Assembly**
- Save setup time by connecting one to four Deck corners at a single support column (no matter what the stage configuration).
 - Save setup time because the Decks automatically align and the stage sections are automatically connected as the Decks fasten on the conical locator nodes.
 - Eliminate time spent finding and assembling loose parts.
- Modular Assemblies**
- Configure staging various sizes and shapes for diverse events.
 - Assemble platforms to function in unusual situations throughout the facility.
- Snap-Lock Braces**
- Save time as horizontal and diagonal braces attach and detach quickly and without tools.
 - Perform on stable, wobble-free platform.
- Aluminum Construction**
- Handle the lighter support system more easily than a steel system.
 - Reduce maintenance costs as the tough, air-craft-alloy composition and the scratch-resistant, baked on finish resist damage.
- Quick-Set Height Selector**
- Select stage heights in 2" increments and reference nominal heights quickly on inner legs.
 - Ensure maximum security with large, 5/8" diameter height adjustment pin.
- Adjustable Screw Foot**
- Compensate for uneven floors with five inches of easy, fine-adjustment leveling.
 - Save maintenance costs because tough, 3/4" Acme-thread screw resists damage (compared to typical 1/2" threads).
 - Protect floor surfaces with sure-grip 2 7/8" diameter injection grade urethane pads.

Technical Specifications

- Function Staging support system shall be easy to set up and store and shall provide a stable, wobble-free understructure for a wide variety of events and platform needs.
- Storage Supports shall store compactly (for example, supports for a 40' x 60' stage shall store in 64 square feet).
- Setup Support system shall be assembled without tools by as few as two people.
- Locator Nodes Conical nodes on retractable locator assemblies shall guide one, two, three or four StageRight Decks into location and proper alignment on a single support column. Without tools, clamps or separate processes, Decks shall fasten in place and stage sections shall interlock.
- Bridging Alternating sections of staging (both front-to-back and side-to-side) shall be composed of Decks that suspend, or "bridge", between support assemblies.
- Adjustable Height Height shall adjust in increments of 2" without tools. Adjustments shall be executed from a standing position by raising or lowering the support's inner column.
- Construction Vertical columns shall be 2 1/2" IPS aluminum pipe. Telescopic inner legs shall be 2" IPS aluminum pipe. Horizontal and diagonal braces shall be 2" OD, aluminum frame by self-locking hooks that encircle nearly 70% of tube and require manual release (see illustration at right). Retractable locator assembly bodies shall be made of 6061-T6 aluminum extrusion. The locator nodes shall have a 1" base diameter and be made of high-strength nylon, except the center node (permanently mounted to the inner leg) shall be made of DKG215 steel. Height shall adjust in increments of 2" without tools. A screw foot at the base of each column shall provide a 5" range of fine adjustment leveling. Each screw foot shall have a diameter of no less than 3/4" and have zinc-plated Acme threads. The bottom of the foot shall be molded urethane no less than 2 7/8" in diameter.
- Options Support assemblies shall have an adjustable height range of: 24"-36", 32"-48", 36"-56", 48"-78" or 78"-108" (Arena Style only). Other sizes by special order.
- Performance Certified, uniformly distributed live-load capacity of 4000 pounds per 4' x 8' section (25 pounds per square foot).
- Part Numbers: #4,638,604, #4,845,915, #4,843,792



Ordering Information

ME-1000AS Support System, Arena Style, (Decks Sold Separately).

PARTS #	DESCRIPTION	W.T. (LB.)	SHIPPING DIM.
314210	adjustable height	72	10" x 48" x 6"
314212	adjustable height	79	10" x 48" x 6"
314215	adjustable height	86	10" x 48" x 6"
314220	adjustable height	100	10" x 48" x 6"
314225	adjustable height	140	142" x 48" x 6"

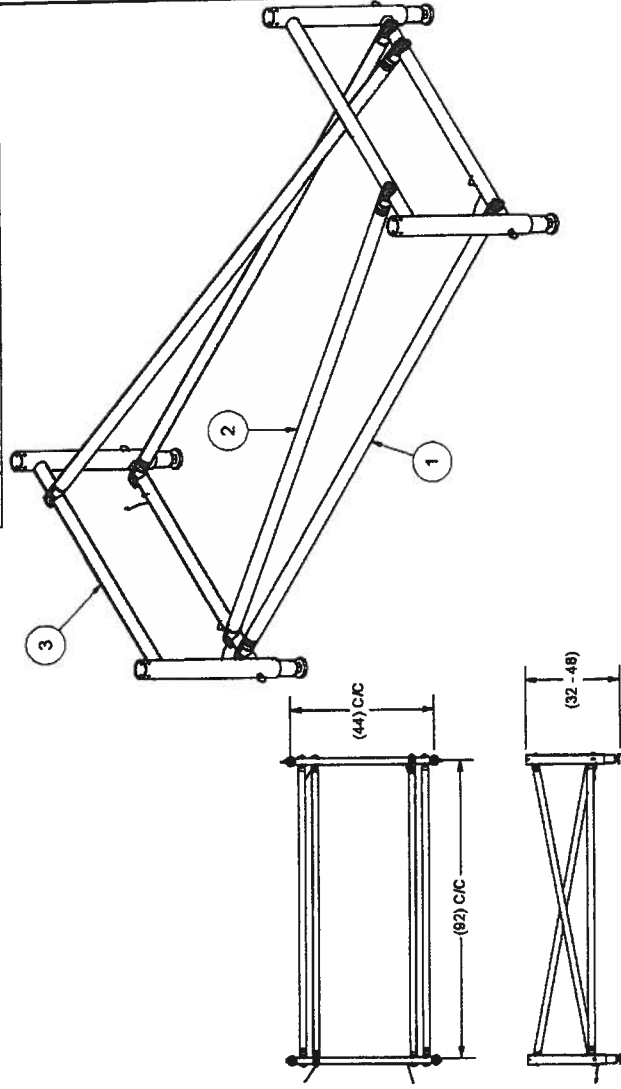
ME-1000AT Support System, All-Terrain Style, (Decks Sold Separately).

PARTS #	DESCRIPTION	W.T. (LB.)	SHIPPING DIM.
314410	adjustable height	72	10" x 48" x 6"
314412	adjustable height	79	10" x 48" x 6"
314415	adjustable height	86	10" x 48" x 6"
314420	adjustable height	100	10" x 48" x 6"

*Custom sizes are available upon request



ITEM	PART NUMBER	DESCRIPTION	QTY
1	314105	ME1000 HORIZ BRA F-ASSY	2
2	314112	ME1000 DIAG BRA F-ASSY 32-48	2
3	314652	ME1000 AT HSEC F-ASSY 32-48	2

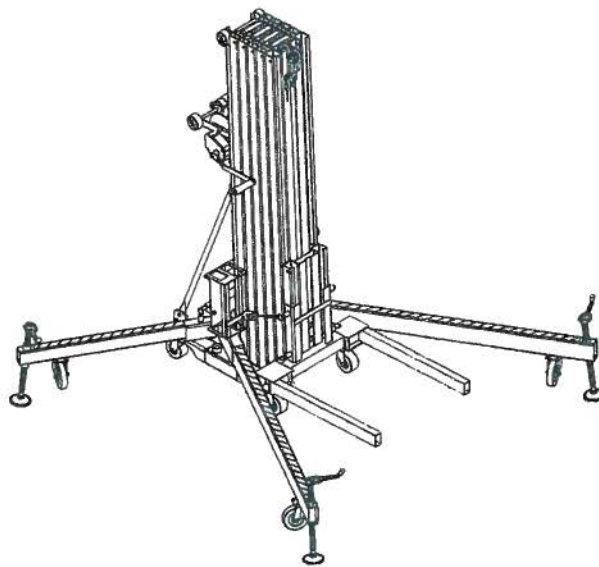


STAGERIGHT
485 PIONEER PARKWAY
CUMMINGS, IN 46031

DATE: 7/17/2003
DRAWN BY: PJD
SCALE: 1:32
CHECKED BY: 80.933
PARTS (P/R): N
DEVELOPMENT PART NUMBER:
PART NUMBER:
314412

DESCRIPTION: ME1000 AT SUPPORT F-ASSY 32-48

STAGERIGHT CORPORATION
ALL DIMENSIONS IN INCHES
UNLESS OTHERWISE SPECIFIED
DIMENSIONS CRITICAL TO INTERCHANGE



SUMNER[®]

USA:

7514 Alabonson Rd.
Houston, TX 77088
tel: 281-999-6900
fax: 281-999-6966

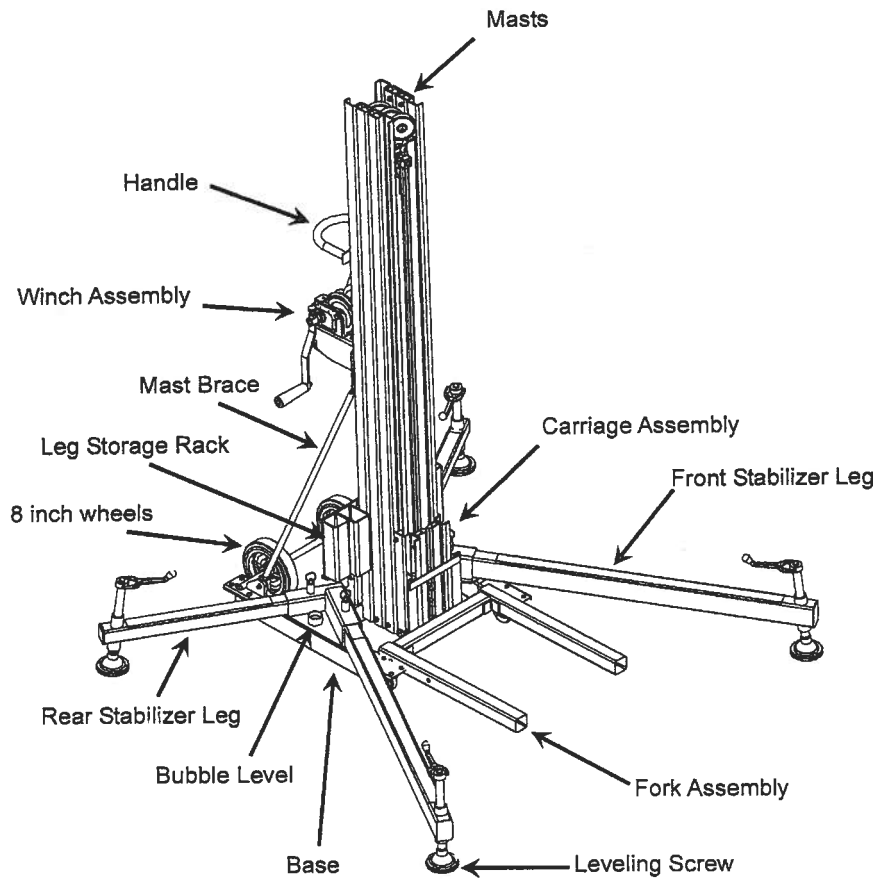
CANADA:

470 Collier MacMillan Drive
Unit 2 & 3
Cambridge, ON N1R 5Y7
tel: 519-623-2300
fax: 519-623-0744

UK:

Unit 16A
Blackpole Trading Estate East
Blackpole Road
Worcester, WR3 8SG
tel: +44 (0)1905 458333
fax: +44(0)1905 458222

Assembly Diagram



LOAD CAPACITY CHART				
MODEL	LOAD CENTER			
	13 in. 33 cm	17 in. 43 cm	21 in. 53 cm	25 in. 63 cm
EVENTER 20	lbs 800	610	495	415
	kg 365	275	225	190
EVENTER 25	lbs 650	495	400	340
	kg 295	225	180	155

