

SOURCE: USGS 7.5 MIN. TOPOGRAPHIC QUADRANGLE "SAINT MARYS, GA-FL"



RECEIVED

JUN 18 2018

GA DNR



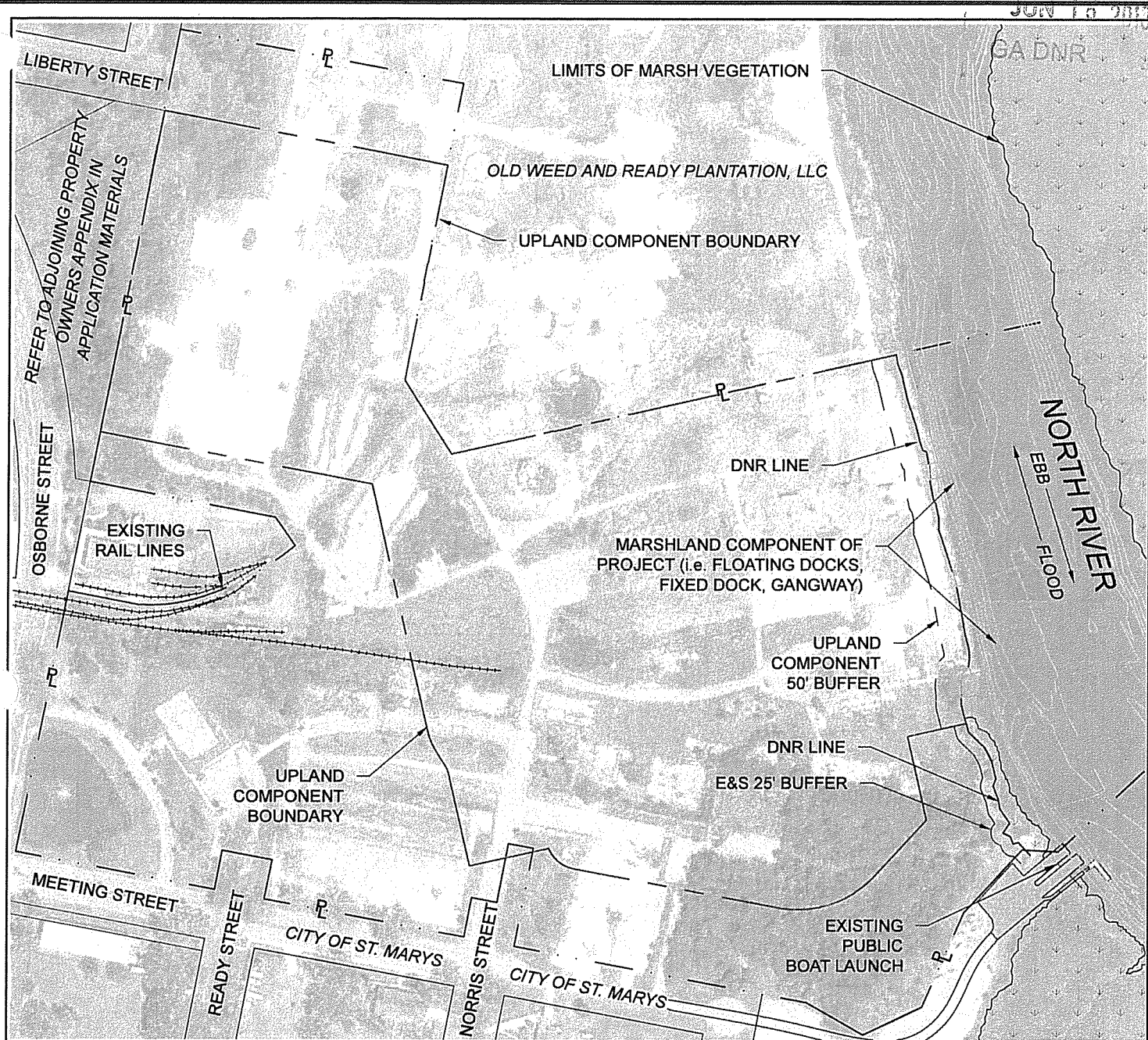
NORTH

FOR PERMITTING PURPOSES ONLY. NOT FOR CONSTRUCTION.

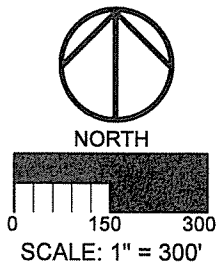
PURPOSE: VESSEL BERTHING AND MAINTENANCE  
 DATUM: MLW  
 APPLICATION BY: CAMDEN COUNTY JOINT DEVELOPMENT AUTHORITY  
 DATE: 06/14/18

WHARF ST. MARYS  
 LOCATION MAP  
 CAMDEN COUNTY JDA  
 531 N. LEE STREET  
 KINGSLAND, GA 31548

PROPOSED: COMMERCIAL MARINA  
 IN: NORTH RIVER  
 AT: ST. MARY'S NORTH OF E. MEETING STREET PUBLIC BOAT LAUNCH  
 COUNTY OF: CAMDEN  
 STATE: GEORGIA

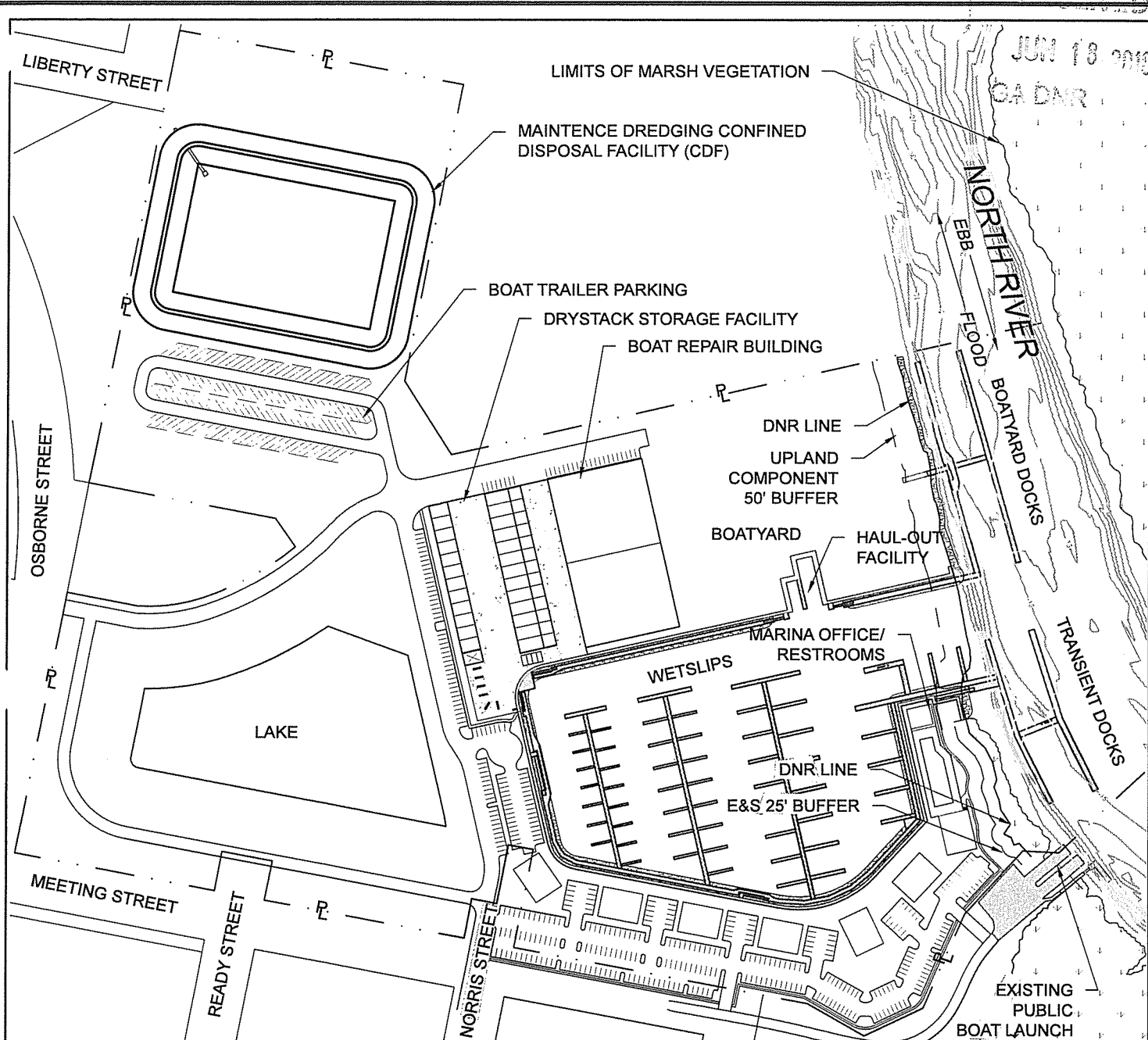


- NOTES:
1. BASE INFORMATION TAKEN FROM BOUNDARY SURVEY PERFORMED BY AKM SURVEYING, INC., AND BATHYMETRIC SURVEY PERFORMED BY THOMAS & HUTTON IN APRIL 2014. BATHYMETRIC CONTOURS ARE MEASURED IN FEET, REFERENCED TO MLW AND REPRESENT THE CONDITIONS AT THE TIME OF THE SURVEY.
  2. THE SCOPE OF WORK INCLUDES THE CONSTRUCTION OF A COMMERCIAL MARINA INCLUDING WETSLIPS AND DRYSTACK STORAGE AS WELL AS A BOAT MAINTENANCE FACILITY WITH HAUL OUT CAPABILITIES.
  3. SEE SHEETS 3 THRU 11 FOR PROPOSED IMPROVEMENT PLANS.
- FOR PERMITTING PURPOSES ONLY. NOT FOR CONSTRUCTION.



<p>PURPOSE: VESSEL BERTHING AND MAINTENANCE          DATUM: MLW          APPLICATION BY: CAMDEN COUNTY JOINT DEVELOPMENT AUTHORITY          DATE: 06/14/18</p>	<p>WHARF ST. MARYS  <b>EXISTING CONDITIONS</b>          CAMDEN COUNTY JDA          531 N. LEE STREET          KINGSLAND, GA 31548</p>	<p>PROPOSED: COMMERCIAL MARINA          IN: NORTH RIVER          AT: ST. MARY'S NORTH OF E. MEETING STREET PUBLIC BOAT LAUNCH          COUNTY OF: CAMDEN          STATE: GEORGIA</p> <p style="text-align: right;">SHEET 2</p>
--	---	--

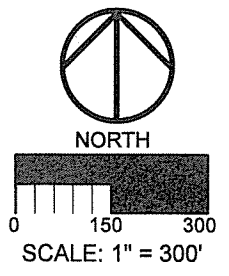
RECEIVED  
 JUN 18 2018  
 GA DNR



**NOTES:**

1. BASE INFORMATION TAKEN FROM BOUNDARY SURVEY PERFORMED BY AKM SURVEYING, INC., AND BATHYMETRIC SURVEY PERFORMED BY THOMAS & HUTTON IN APRIL 2014. BATHYMETRIC CONTOURS ARE MEASURED IN FEET, REFERENCED TO MLW AND REPRESENT THE CONDITIONS AT THE TIME OF THE SURVEY.
2. THE SCOPE OF WORK INCLUDES THE CONSTRUCTION OF A COMMERCIAL MARINA INCLUDING WETSLIPS AND DRYSTACK STORAGE AS WELL AS A BOAT MAINTENANCE FACILITY WITH HAUL OUT CAPABILITIES.
3. SEE SHEETS 4 THRU 11 FOR ENLARGED VIEWS OF PROPOSED IMPROVEMENTS.

FOR PERMITTING PURPOSES ONLY. NOT FOR CONSTRUCTION.



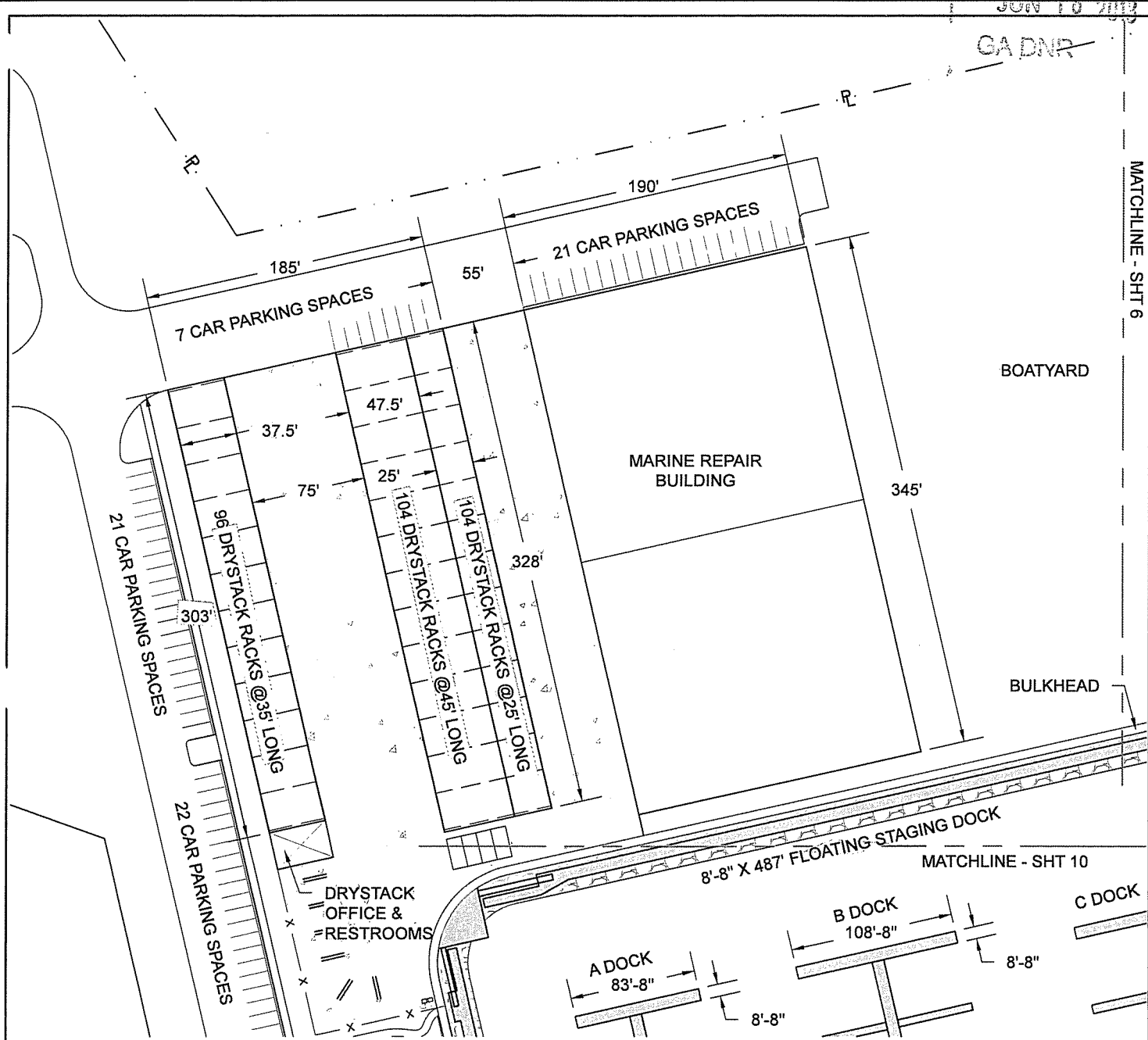
PURPOSE: VESSEL BERTHING AND MAINTENANCE DATUM: MLW APPLICATION BY: CAMDEN COUNTY JOINT DEVELOPMENT AUTHORITY DATE: 06/14/18	WHARF ST. MARYS <b>PROPOSED IMPROVEMENTS          OVERALL VIEW</b> CAMDEN COUNTY JDA 531 N. LEE STREET KINGSLAND, GA 31548	PROPOSED: COMMERCIAL MARINA IN: NORTH RIVER AT: ST. MARY'S NORTH OF E. MEETING STREET PUBLIC BOAT LAUNCH COUNTY OF: CAMDEN STATE: GEORGIA SHEET 3
---	--	--

RECEIVED

JUN 10 2018

GA DNR

MATCHLINE - SHT 6

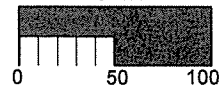


NOTES:

1. SEE SHEET 5 FOR ENLARGED VIEW OF DRYSTACK OPERATIONS AREA.
2. SEE SHEETS 19 AND 20 FOR TYPICAL FLOATING DOCK SECTIONS.
3. SEE SHEET 22 FOR TYPICAL DRYSTACK STRUCTURE CROSS SECTION AND ELEVATION VIEWS.
4. SEE SHEET 23 FOR TYPICAL MARINE REPAIR BUILDING CROSS SECTION AND ELEVATION VIEWS.



NORTH



SCALE: 1" = 100'

FOR PERMITTING PURPOSES ONLY. NOT FOR CONSTRUCTION.



PURPOSE: VESSEL BERTHING AND MAINTENANCE  
 DATUM: MLW  
 APPLICATION BY: CAMDEN COUNTY JOINT DEVELOPMENT AUTHORITY

WHARF ST. MARYS  
 DRYSTACK & MARINE REPAIR FACILITIES

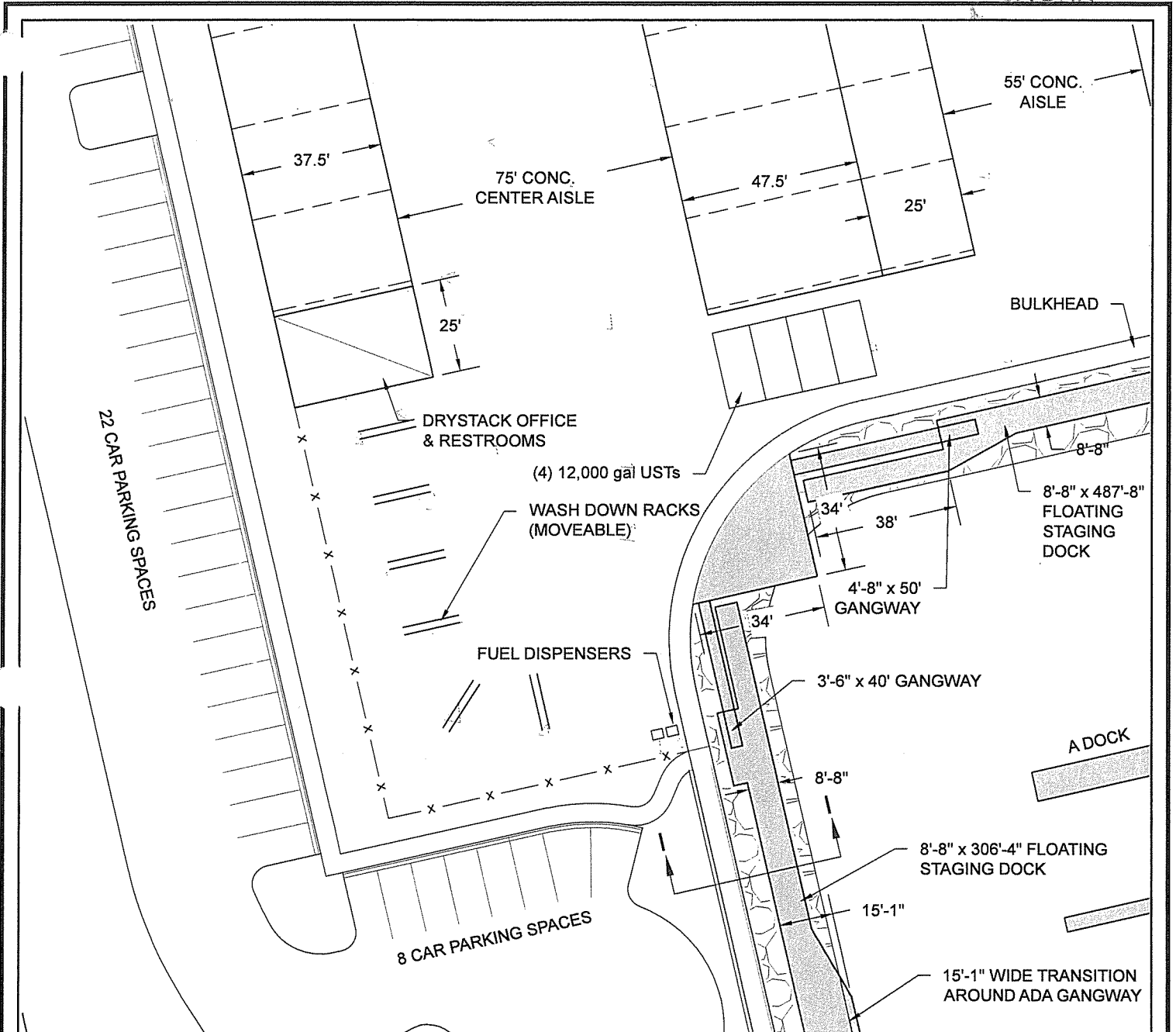
CAMDEN COUNTY JDA  
 531 N. LEE STREET  
 KINGSLAND, GA 31548

PROPOSED: COMMERCIAL MARINA

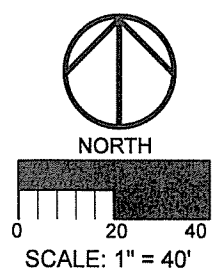
IN: NORTH RIVER  
 AT: ST. MARY'S NORTH OF E. MEETING STREET PUBLIC BOAT LAUNCH  
 COUNTY OF: CAMDEN  
 STATE: GEORGIA

DATE: 06/14/18

SHEET 4

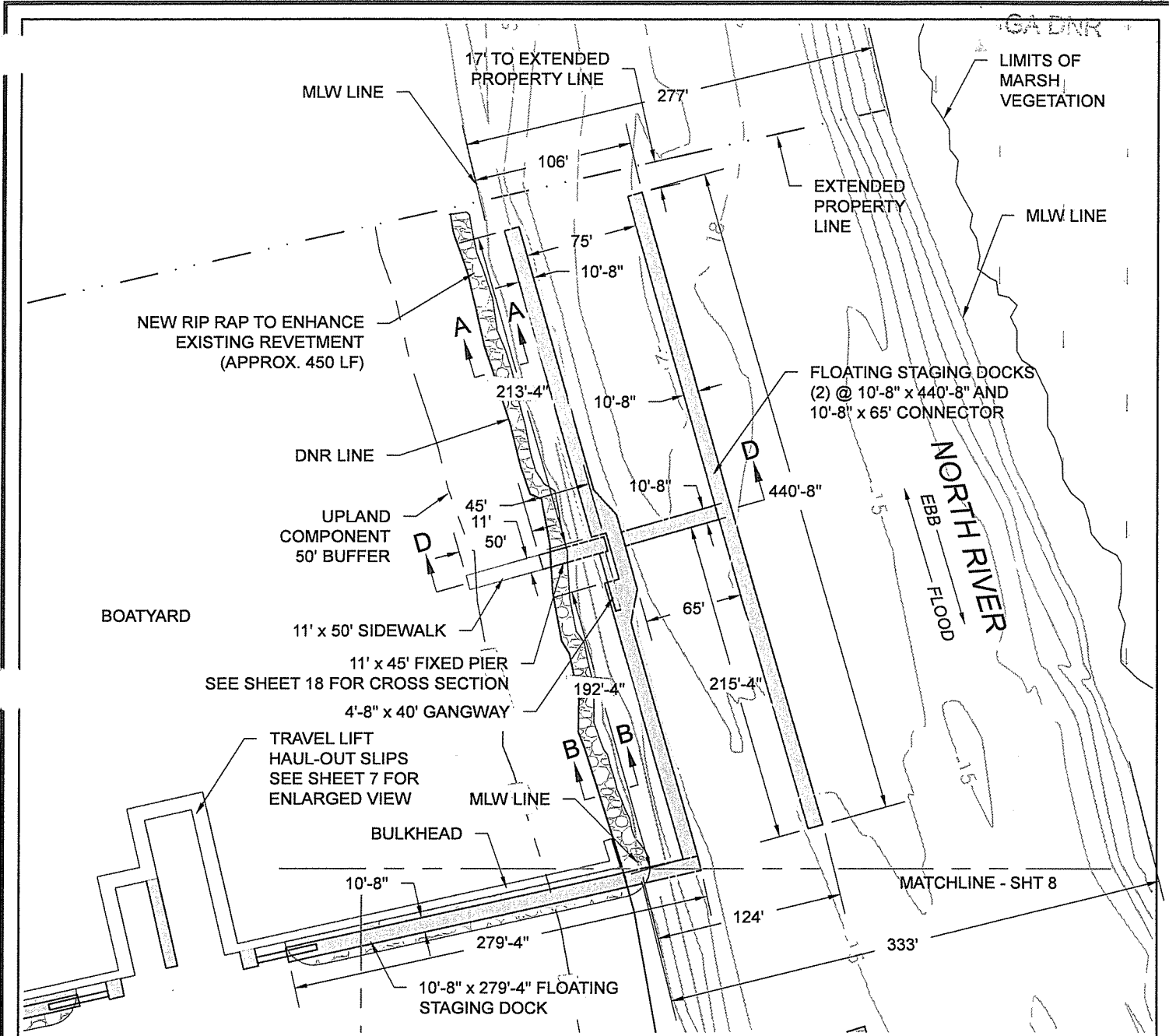


- NOTES:  
 1. SEE SHEET 16 FOR CROSS SECTION I - I.  
 2. SEE SHEETS 19 AND 20 FOR TYPICAL FLOATING DOCK SECTIONS.

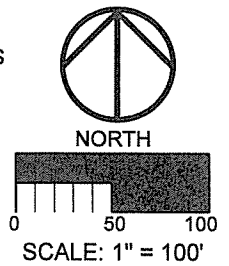


FOR PERMITTING PURPOSES ONLY. NOT FOR CONSTRUCTION.

PURPOSE: VESSEL BERTHING AND MAINTENANCE JATUM: MLW APPLICATION BY: CAMDEN COUNTY JOINT DEVELOPMENT AUTHORITY DATE: 06/14/18	WHARF ST. MARYS <b>DRystack OPERATIONS AREA</b> CAMDEN COUNTY JDA 531 N. LEE STREET KINGSLAND, GA 31548	PROPOSED: COMMERCIAL MARINA IN: NORTH RIVER AT: ST. MARY'S NORTH OF E. MEETING STREET PUBLIC BOAT LAUNCH COUNTY OF: CAMDEN STATE: GEORGIA SHEET 5
---	---	--



- NOTES:
1. SEE SHEET 7 FOR ENLARGED VIEW OF TRAVEL LIFT HAUL-OUT SLIPS.
  2. SEE SHEET 12 FOR CROSS SECTIONS A - A, AND B - B. SEE SHEET 13 FOR CROSS SECTION D - D.
  3. SEE SHEETS 19 AND 20 FOR TYPICAL FLOATING DOCK SECTIONS.

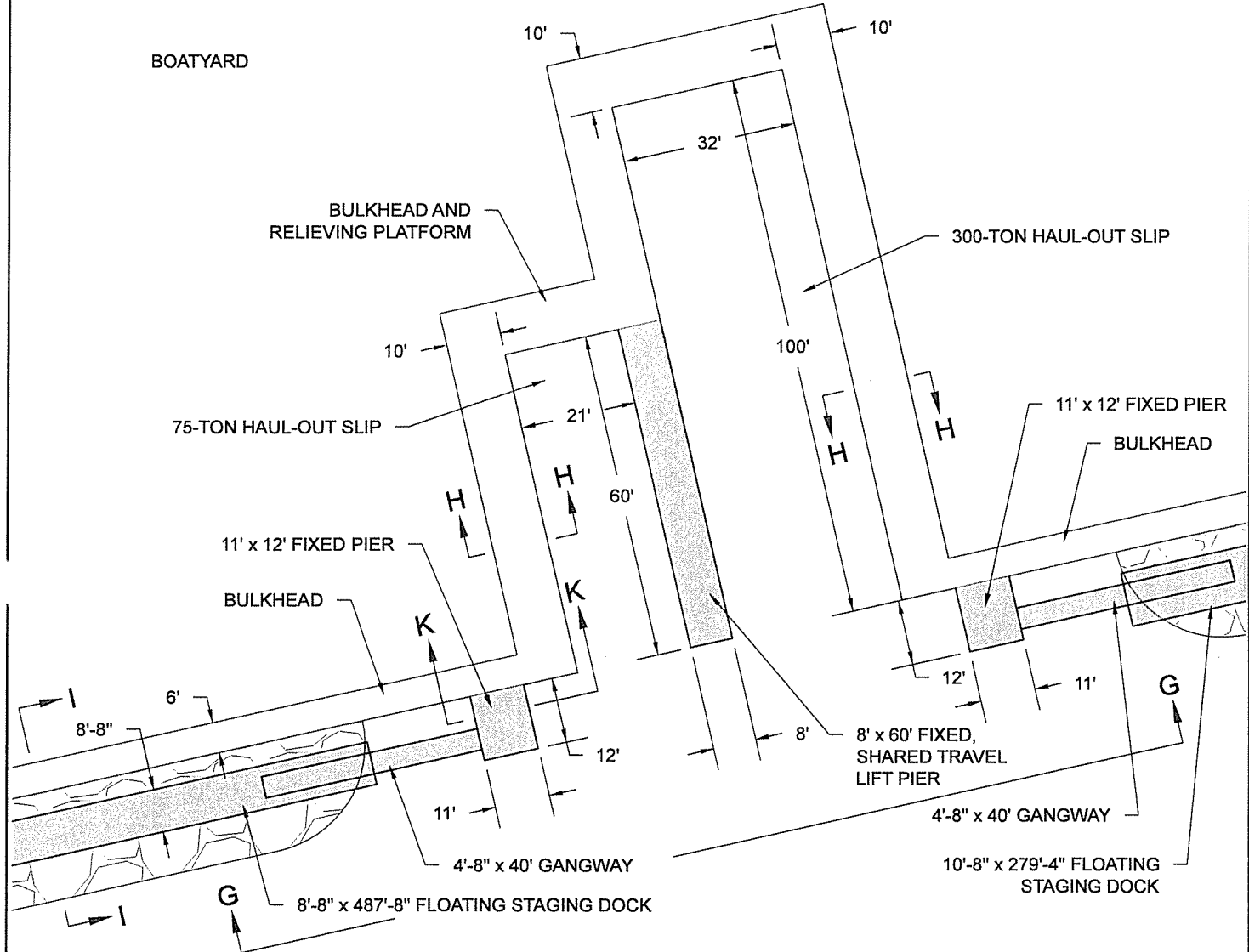


FOR PERMITTING PURPOSES ONLY. NOT FOR CONSTRUCTION.

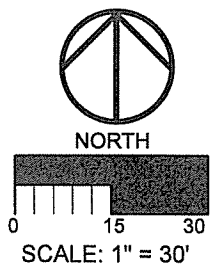
<p>PURPOSE: VESSEL BERTHING AND MAINTENANCE          DATUM: MLW          APPLICATION BY: CAMDEN COUNTY JOINT DEVELOPMENT AUTHORITY          DATE: 06/14/18</p>	<p>WHARF ST. MARYS  <b>BOATYARD HAUL-OUT FACILITIES &amp; DOCKS</b>          CAMDEN COUNTY JDA          531 N. LEE STREET          KINGSLAND, GA 31548</p>	<p>PROPOSED: COMMERCIAL MARINA          IN: NORTH RIVER          AT: ST. MARY'S NORTH OF E. MEETING STREET PUBLIC BOAT LAUNCH          COUNTY OF: CAMDEN          STATE: GEORGIA</p>
--	--	--

RECEIVED

JUN 18 2018  
GA DNR



- NOTES:
1. SEE SHEET 14 FOR CROSS SECTION G - G, SHEET 15 FOR CROSS SECTION H - H, SHEET 16 FOR CROSS SECTION I - I, AND SHEET 18 FOR CROSS SECTION K - K.
  2. SEE SHEETS 19 AND 20 FOR TYPICAL FLOATING DOCK SECTIONS.



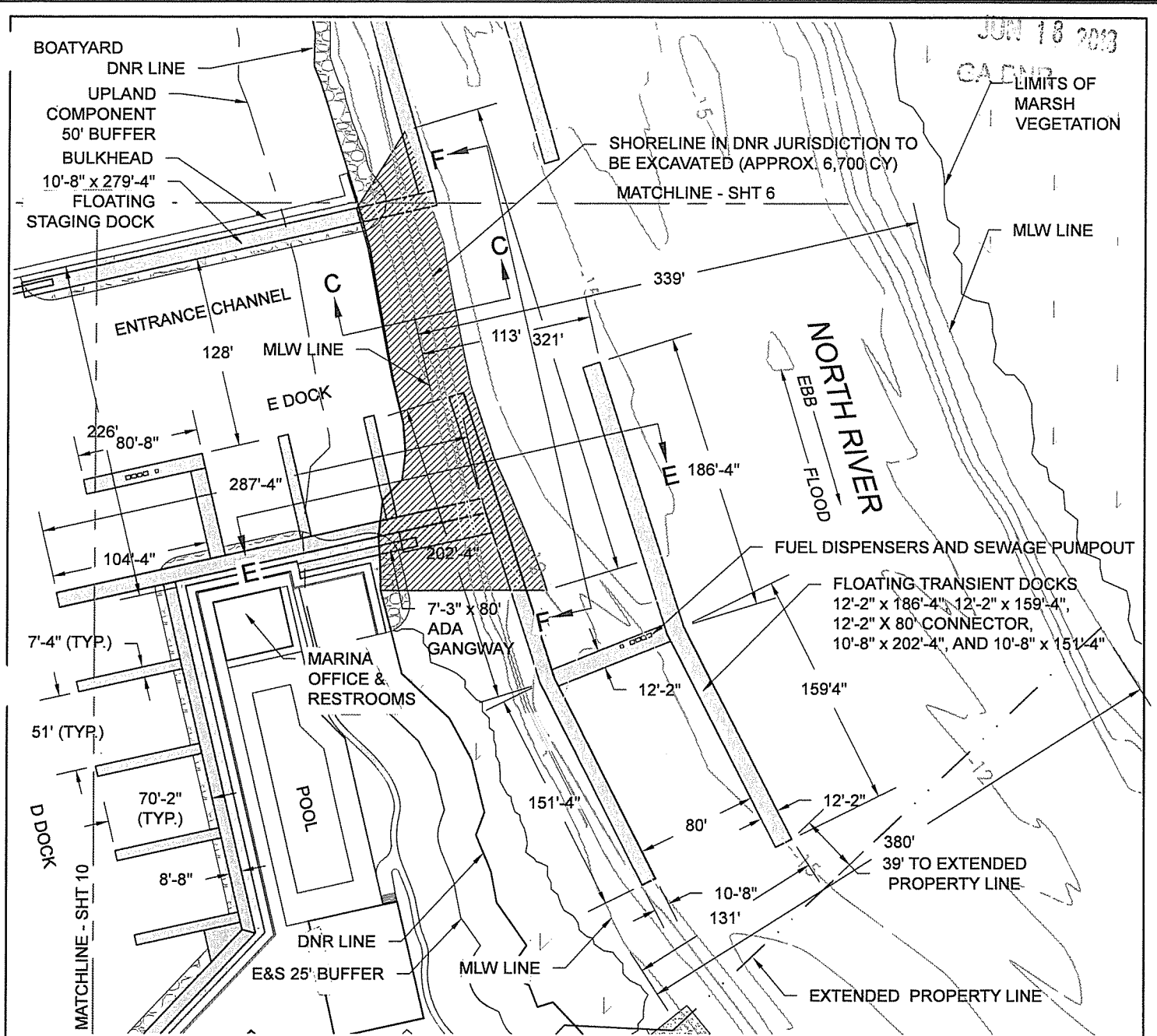
FOR PERMITTING PURPOSES ONLY. NOT FOR CONSTRUCTION.

<p>PURPOSE: VESSEL BERTHING AND MAINTENANCE          DATUM: MLW          APPLICATION BY: CAMDEN COUNTY JOINT DEVELOPMENT AUTHORITY          DATE: 06/14/18</p>	<p>WHARF ST. MARYS  <b>HAUL-OUT FACILITIES ENLARGED VIEW</b>          CAMDEN COUNTY JDA          531 N. LEE STREET          KINGSLAND, GA 31548</p>	<p>PROPOSED: COMMERCIAL MARINA          IN: NORTH RIVER          AT: ST. MARY'S NORTH OF E. MEETING STREET PUBLIC BOAT LAUNCH          COUNTY OF: CAMDEN          STATE: GEORGIA</p> <p style="text-align: right;">SHEET 7</p>
--	---	--

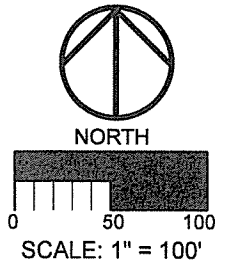
RECEIVED

JUN 18 2018

CAMDEN LIMITS OF MARSH VEGETATION



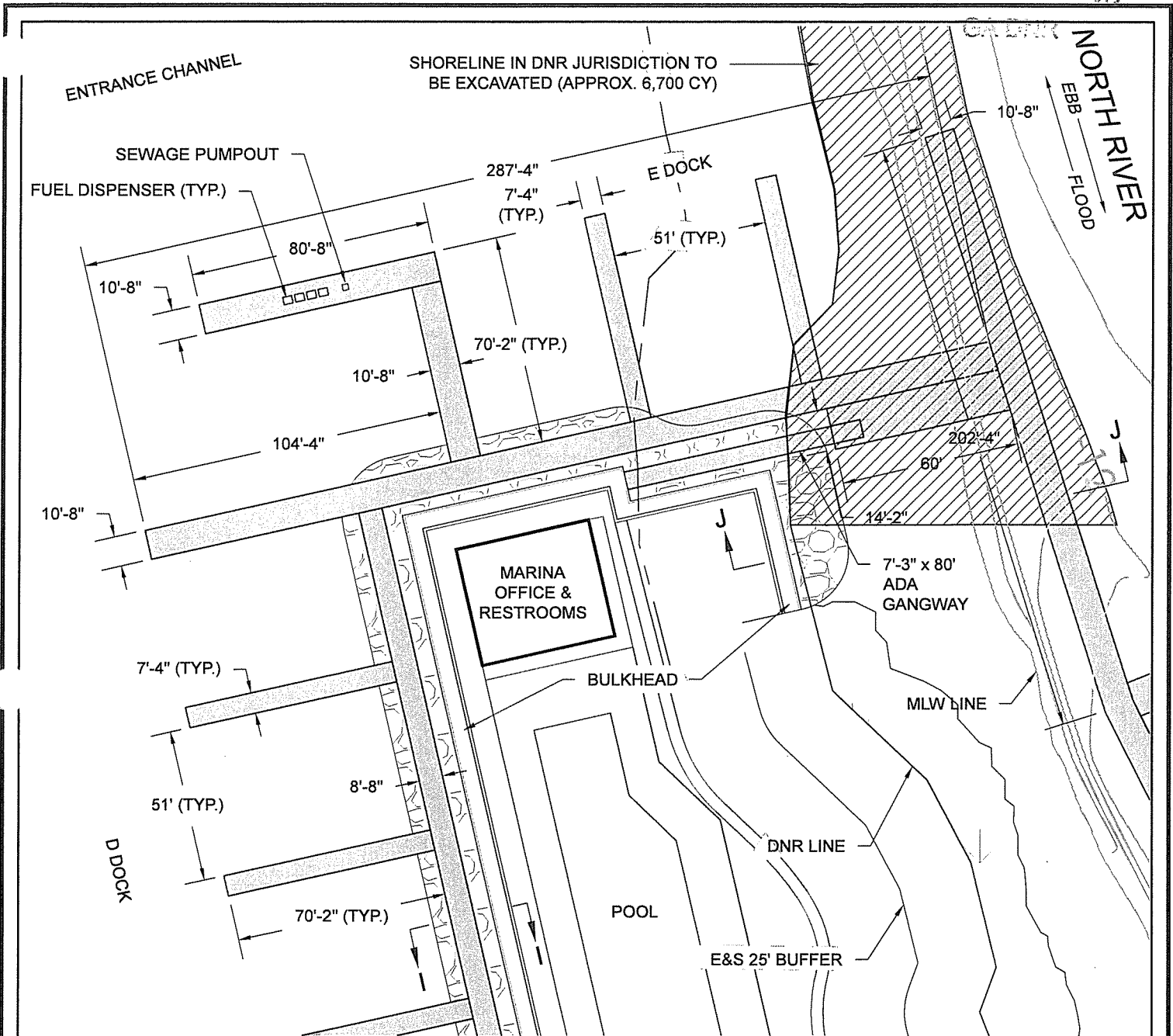
- NOTES:
1. SEE SHEET 9 FOR ENLARGED VIEW OF FUEL DOCK / E DOCK AND MARINA OFFICE AND RESTROOMS.
  2. SEE SHEET 12 FOR CROSS SECTION C - C, SHEET 13 FOR CROSS SECTIONS D - D AND E - E, AND SHEET 14 FOR CROSS SECTION F - F.
  3. SEE SHEETS 19 AND 20 FOR TYPICAL FLOATING DOCK SECTIONS.



FOR PERMITTING PURPOSES ONLY. NOT FOR CONSTRUCTION.

<p>PURPOSE: VESSEL BERTHING AND MAINTENANCE          DATUM: MLW          APPLICATION BY: CAMDEN COUNTY JOINT DEVELOPMENT AUTHORITY          DATE: 06/14/18</p>	<p>WHARF ST. MARYS          TRANSIENT DOCKS, WETSLIPS &amp; ENTRANCE CHANNEL          CAMDEN COUNTY JDA          531 N. LEE STREET          KINGSLAND, GA 31548</p>	<p>PROPOSED: COMMERCIAL MARINA          IN: NORTH RIVER          AT: ST. MARY'S NORTH OF E. MEETING STREET PUBLIC BOAT LAUNCH          COUNTY OF: CAMDEN          STATE: GEORGIA          SHEET 8</p>
--	---	---



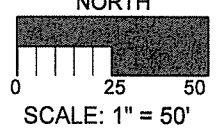


NOTES:

1. SEE SHEET 16 FOR CROSS SECTION I - I AND SHEET 17 FOR CROSS SECTION J - J.
2. SEE SHEETS 19 AND 20 FOR TYPICAL FLOATING DOCK SECTIONS.



RECEIVED  
 JUN 18 2018  
 GA DNR



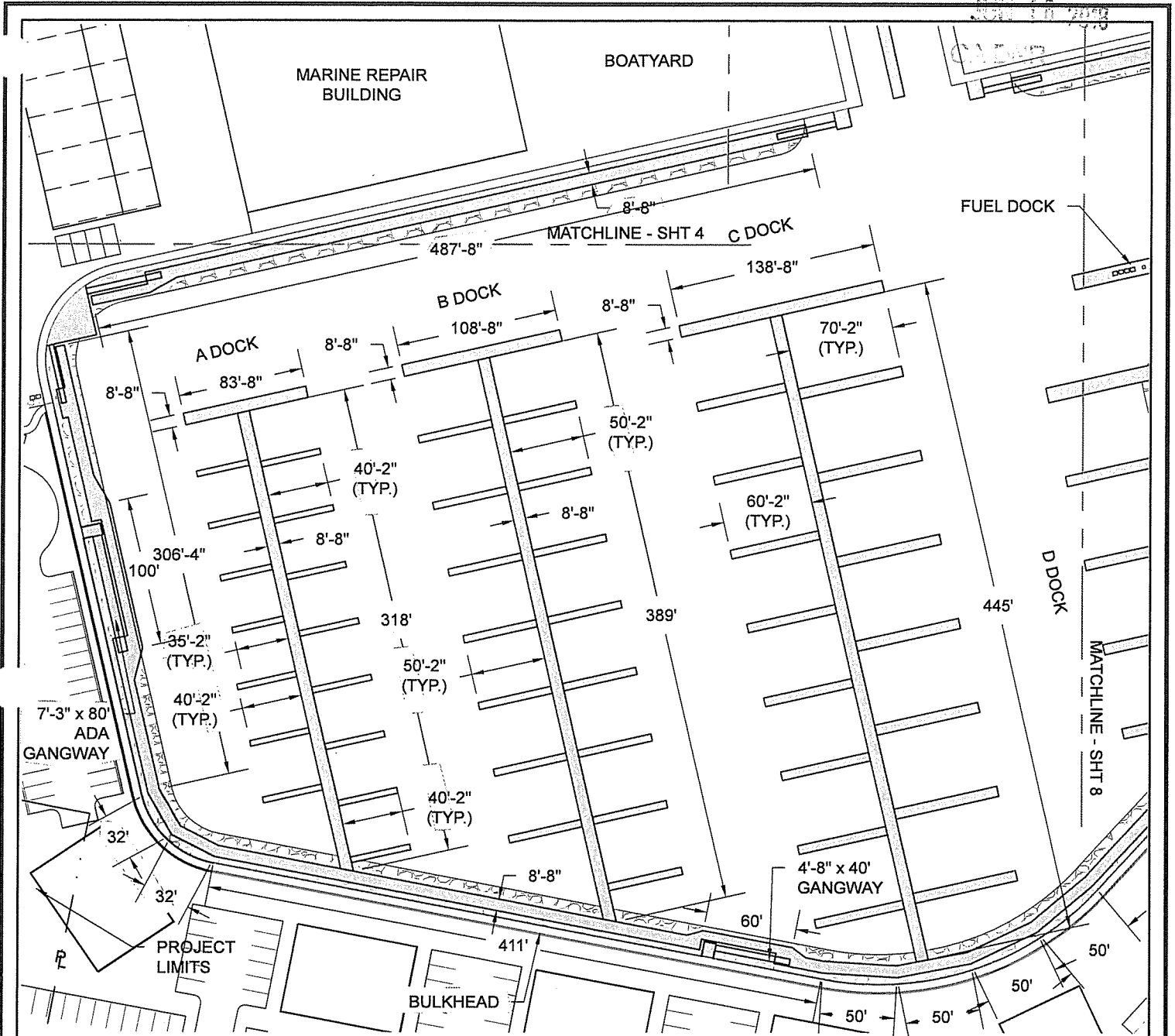
FOR PERMITTING PURPOSES ONLY. NOT FOR CONSTRUCTION.

PURPOSE: VESSEL BERTHING AND MAINTENANCE  
 DATUM: MLW  
 APPLICATION BY: CAMDEN COUNTY JOINT DEVELOPMENT AUTHORITY  
 DATE: 06/14/18

WHARF ST. MARYS  
 MARINA STORE & FUEL DOCK  
 CAMDEN COUNTY JDA  
 531 N. LEE STREET  
 KINGSLAND, GA 31548

PROPOSED: COMMERCIAL MARINA  
 IN: NORTH RIVER  
 AT: ST. MARY'S NORTH OF E. MEETING STREET PUBLIC BOAT LAUNCH  
 COUNTY OF: CAMDEN  
 STATE: GEORGIA  
 SHEET 9

RECEIVED



NOTES:  
 1. SEE SHEETS 19 AND 20 FOR TYPICAL FLOATING DOCK SECTIONS

RECEIVED

JUN 18 2018

GA DNR

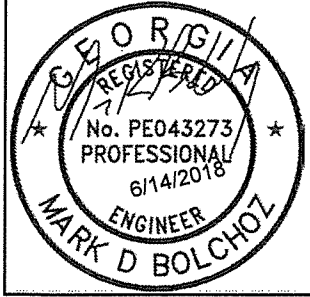


NORTH



SCALE: 1" = 100'

FOR PERMITTING PURPOSES ONLY. NOT FOR CONSTRUCTION.



PURPOSE: VESSEL BERTHING AND MAINTENANCE  
 JATUM: MLW  
 APPLICATION BY: CAMDEN COUNTY JOINT  
 DEVELOPMENT AUTHORITY  
 DATE: 06/14/18

WHARF ST. MARYS  
 WETSLIPS &  
 STAGING DOCKS  
 CAMDEN COUNTY JDA  
 531 N. LEE STREET  
 KINGSLAND, GA 31548

PROPOSED: COMMERCIAL MARINA  
 IN: NORTH RIVER  
 AT: ST. MARY'S NORTH OF E. MEETING  
 STREET PUBLIC BOAT LAUNCH  
 COUNTY OF: CAMDEN  
 STATE: GEORGIA  
 SHEET 10

RECEIVED

JUN 18 2018

GA DNR

EFFLUENT TO DISCHARGE TO CITY OF ST. MARY'S PUBLIC WORKS DRAINAGE SYSTEM

TOE OF DIKE

TOP OF DIKE

TOE OF DIKE

INFLUENT (DREDGE PIPELINE) LOCATION

FLASHBOARD RISER SPILLWAY

78'  
416'

78'

78'

550'  
28 BOAT TRAILER PARKING SPACES (GRASS)

28 BOAT TRAILER PARKING SPACES (GRASS)

28 BOAT TRAILER PARKING SPACES (GRASS)

28 BOAT TRAILER PARKING SPACES (GRASS)

GRAVEL DRIVE



NOTES:

1. SEE SHEET 21 FOR CROSS SECTION L - L AND SPILLWAY DETAIL.

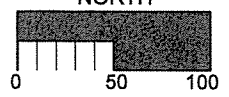
RECEIVED

JUN 18 2018

GA DNR



NORTH



SCALE: 1" = 100'

FOR PERMITTING PURPOSES ONLY. NOT FOR CONSTRUCTION.

PURPOSE: VESSEL BERTHING AND MAINTENANCE  
DATUM: MLW  
APPLICATION BY: CAMDEN COUNTY JOINT DEVELOPMENT AUTHORITY  
DATE: 06/14/18

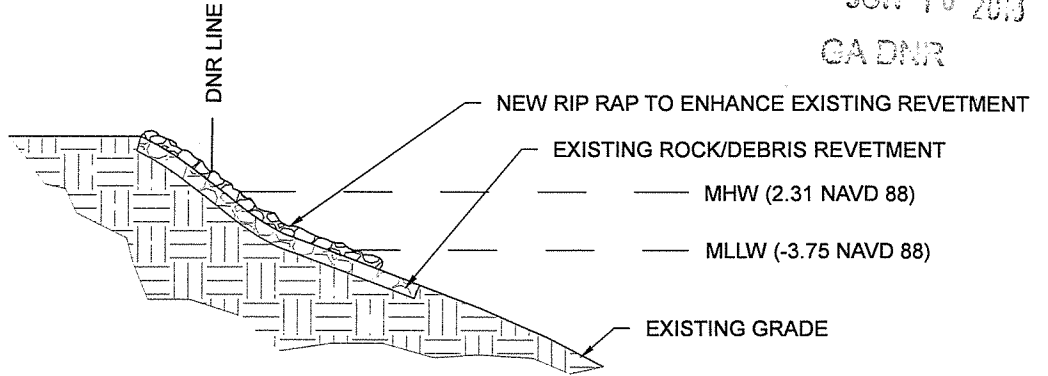
WHARF ST. MARYS  
DREDGE MATERIAL CDF  
& BOAT TRAILER PARKING  
CAMDEN COUNTY JDA  
531 N. LEE STREET  
KINGSLAND, GA 31548

PROPOSED: COMMERCIAL MARINA  
IN: NORTH RIVER  
AT: ST. MARY'S NORTH OF E. MEETING STREET PUBLIC BOAT LAUNCH  
COUNTY OF: CAMDEN  
STATE: GEORGIA  
SHEET 11

RECEIVED

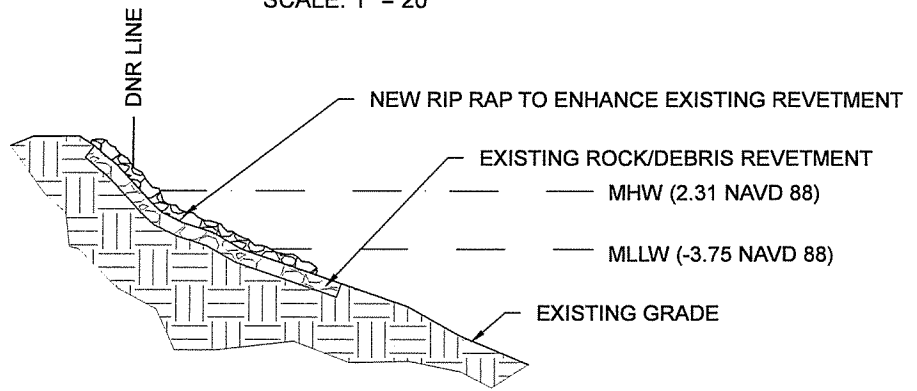
JUN 19 2018

GA DNR



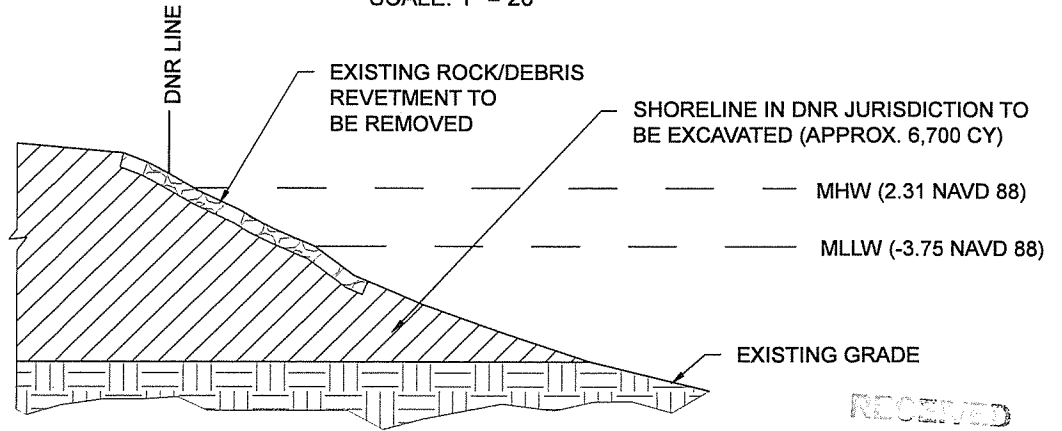
**CROSS SECTION A - A**

SCALE: 1" = 20'



**CROSS SECTION B - B**

SCALE: 1" = 20'



**CROSS SECTION C - C**

SCALE: 1" = 20'

RECEIVED

JUN 18 2018

GA DNR



FOR PERMITTING PURPOSES ONLY. NOT FOR CONSTRUCTION.

PURPOSE: VESSEL BERTHING AND MAINTENANCE

DATUM: MLW

APPLICATION BY: CAMDEN COUNTY JOINT DEVELOPMENT AUTHORITY

DATE: 06/14/18

WHARF ST. MARYS

SHORELINE / ENTRANCE CHANNEL CROSS SECTIONS

CAMDEN COUNTY JDA 531 N. LEE STREET KINGSLAND, GA 31548

PROPOSED: COMMERCIAL MARINA

IN: NORTH RIVER

AT: ST. MARY'S NORTH OF E. MEETING STREET PUBLIC BOAT LAUNCH

COUNTY OF: CAMDEN

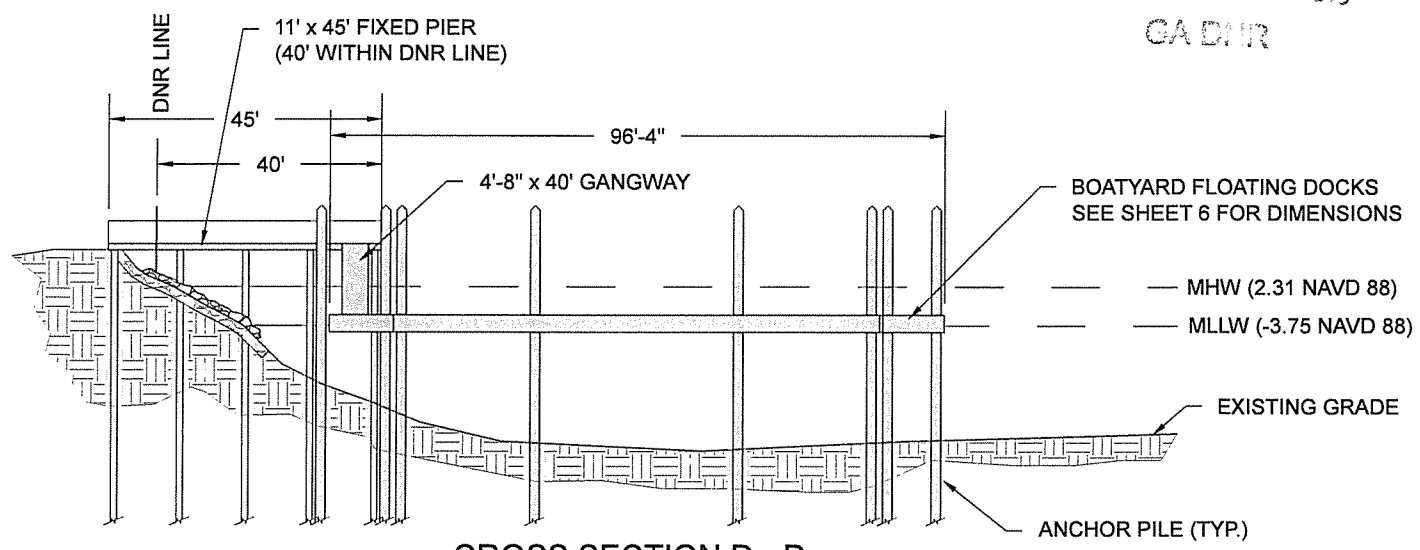
STATE: GEORGIA

SHEET 12

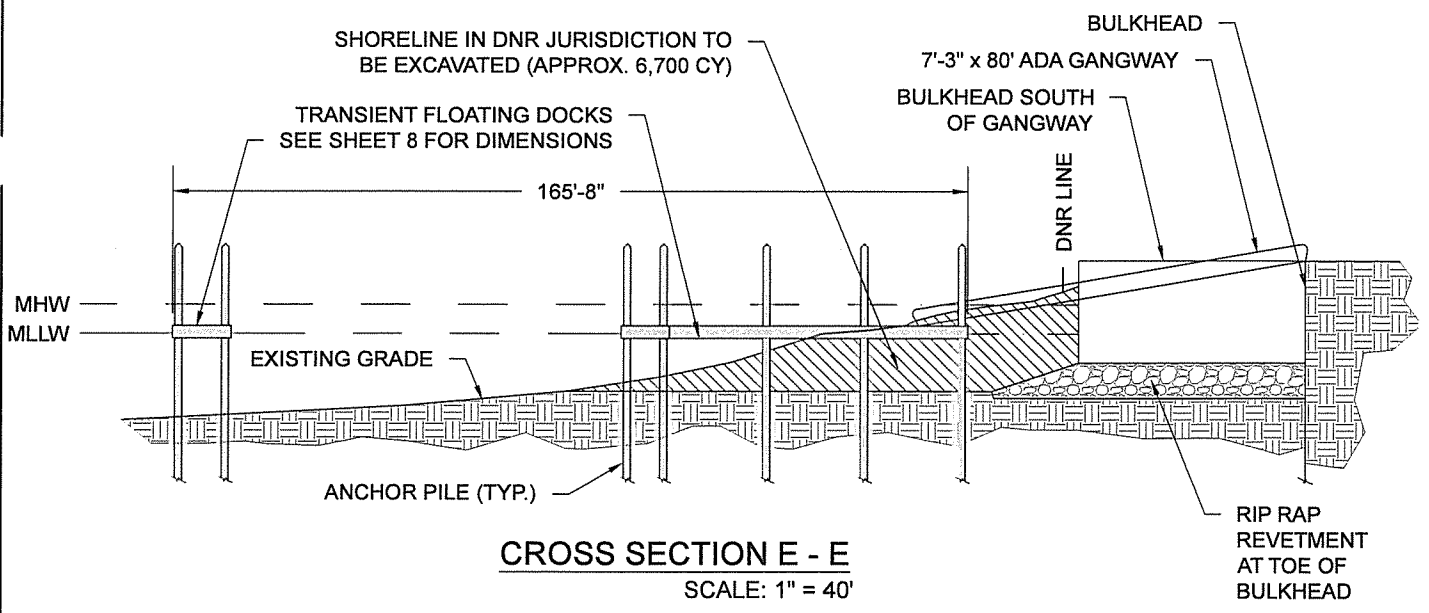
RECEIVED

JUN 18 2018

GA DNR



**CROSS SECTION D - D**  
SCALE: 1" = 30'

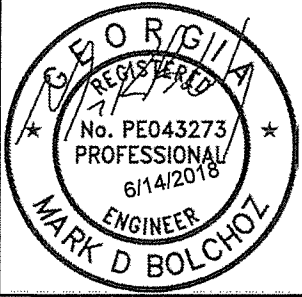


**CROSS SECTION E - E**  
SCALE: 1" = 40'

RECEIVED

JUN 18 2018

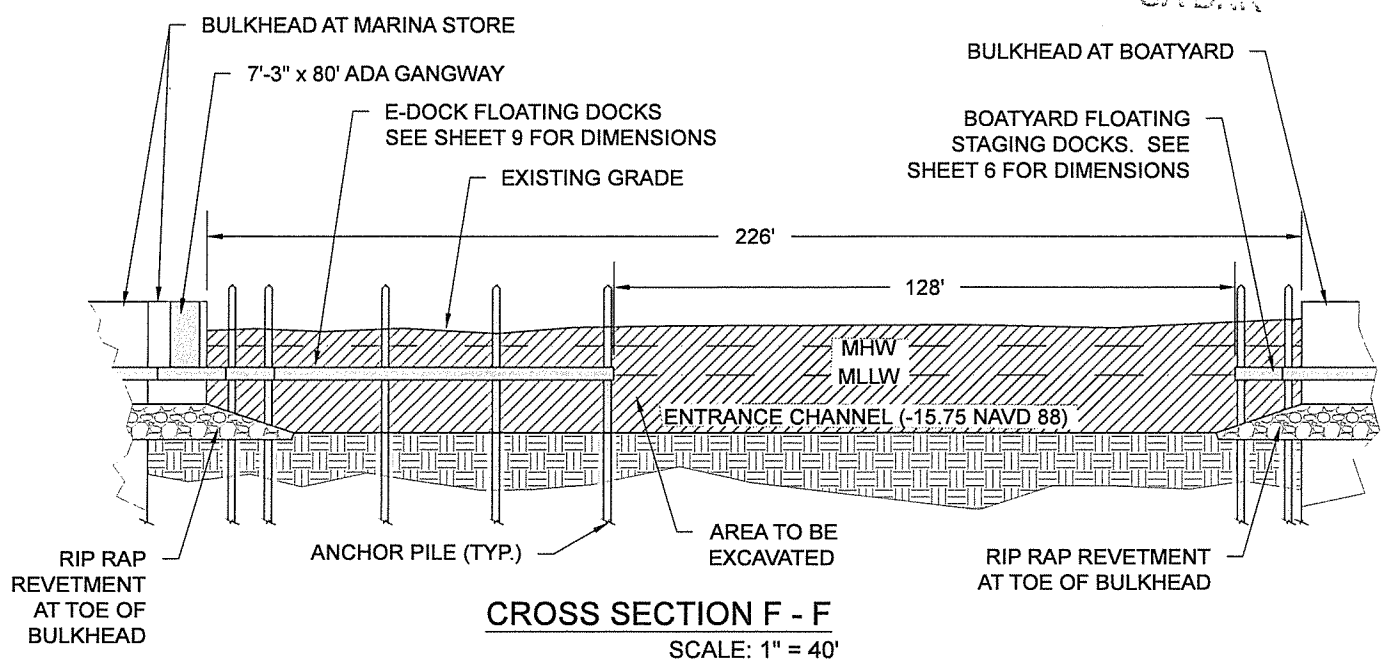
GA DNR



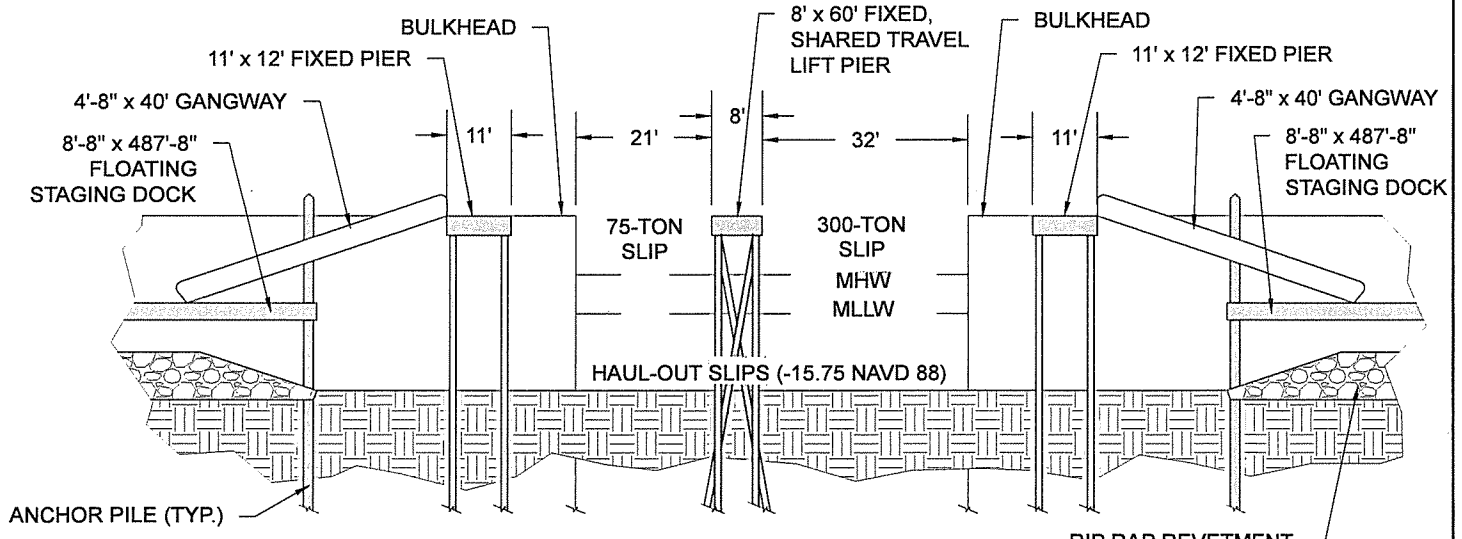
FOR PERMITTING PURPOSES ONLY. NOT FOR CONSTRUCTION.

<p>PURPOSE: VESSEL BERTHING AND MAINTENANCE DATUM: MLW APPLICATION BY: CAMDEN COUNTY JOINT DEVELOPMENT AUTHORITY DATE: 06/14/18</p>	<p>WHARF ST. MARYS BOATYARD &amp; TRANSIENT DOCK CROSS SECTIONS CAMDEN COUNTY JDA 531 N. LEE STREET KINGSLAND, GA 31548</p>	<p>PROPOSED: COMMERCIAL MARINA IN: NORTH RIVER AT: ST. MARY'S NORTH OF E. MEETING STREET PUBLIC BOAT LAUNCH COUNTY OF: CAMDEN STATE: GEORGIA SHEET 13</p>
---	---	---

RECEIVED  
JUN 18 2018  
GA DNR



**CROSS SECTION F - F**  
SCALE: 1" = 40'



**CROSS SECTION G - G**  
SCALE: 1" = 30'



RECEIVED  
JUN 18 2018  
GA DNR

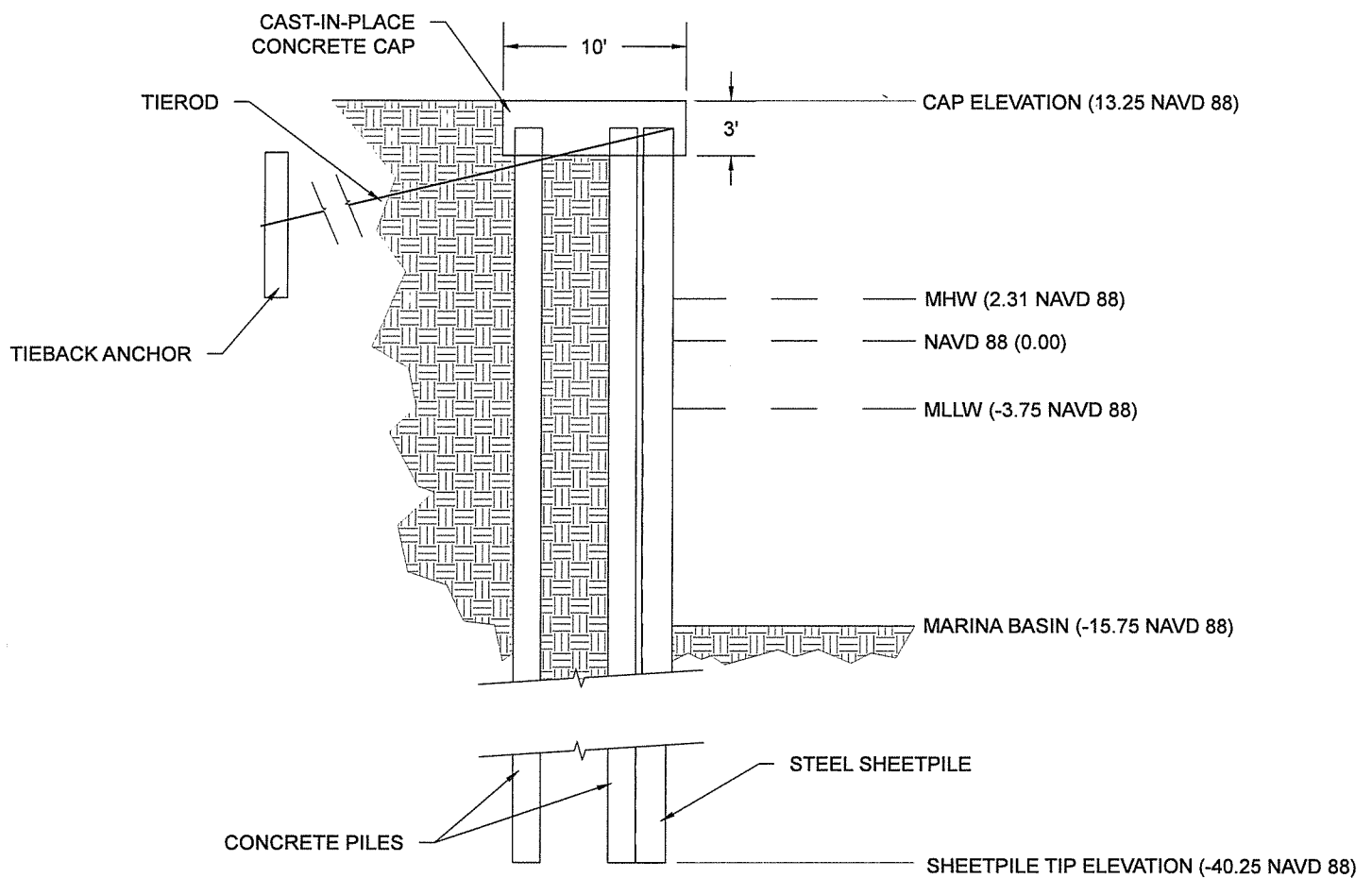
FOR PERMITTING PURPOSES ONLY. NOT FOR CONSTRUCTION.

<p>PURPOSE: VESSEL BERTHING AND MAINTENANCE          DATUM: MLW          APPLICATION BY: CAMDEN COUNTY JOINT DEVELOPMENT AUTHORITY          DATE: 06/14/18</p>	<p>WHARF ST. MARYS          ENTRANCE CHANNEL &amp;          HAUL-OUT CROSS SECTIONS          CAMDEN COUNTY JDA          531 N. LEE STREET          KINGSLAND, GA 31548</p>	<p>PROPOSED: COMMERCIAL MARINA          IN: NORTH RIVER          AT: ST. MARY'S NORTH OF E. MEETING STREET PUBLIC BOAT LAUNCH          COUNTY OF: CAMDEN          STATE: GEORGIA</p>
--	--	--

RECEIVED

JUN 18 2018

GA DNR



**CROSS SECTION H - H**  
SCALE: 1" = 10'



RECEIVED  
JUN 18 2018  
GA DNR

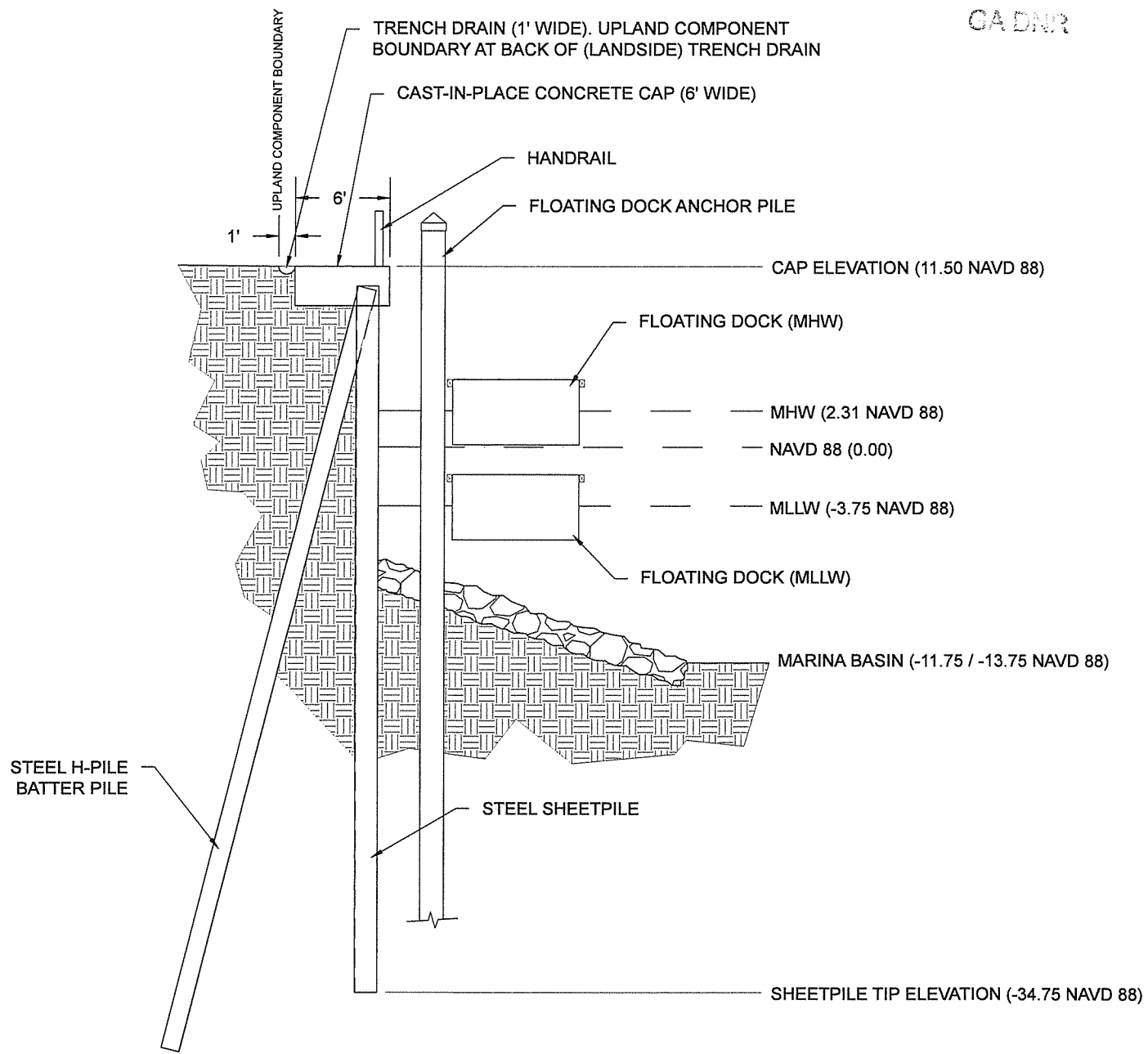
FOR PERMITTING PURPOSES ONLY. NOT FOR CONSTRUCTION.

<p>PURPOSE: VESSEL BERTHING AND MAINTENANCE          DATUM: MLW          APPLICATION BY: CAMDEN COUNTY JOINT DEVELOPMENT AUTHORITY          DATE: 06/14/18</p>	<p>WHARF ST. MARYS  <b>BULKHEAD CROSS SECTION AT HAUL-OUT</b>          CAMDEN COUNTY JDA          531 N. LEE STREET          KINGSLAND, GA 31548</p>	<p>PROPOSED: COMMERCIAL MARINA          IN: NORTH RIVER          AT: ST. MARY'S NORTH OF E. MEETING STREET PUBLIC BOAT LAUNCH          COUNTY OF: CAMDEN          STATE: GEORGIA</p>
--	--	--

RECEIVED

JUN 13 2018

GA DNR



**CROSS SECTION I - I**  
SCALE: 1" = 10'



RECEIVED

JUN 18 2018

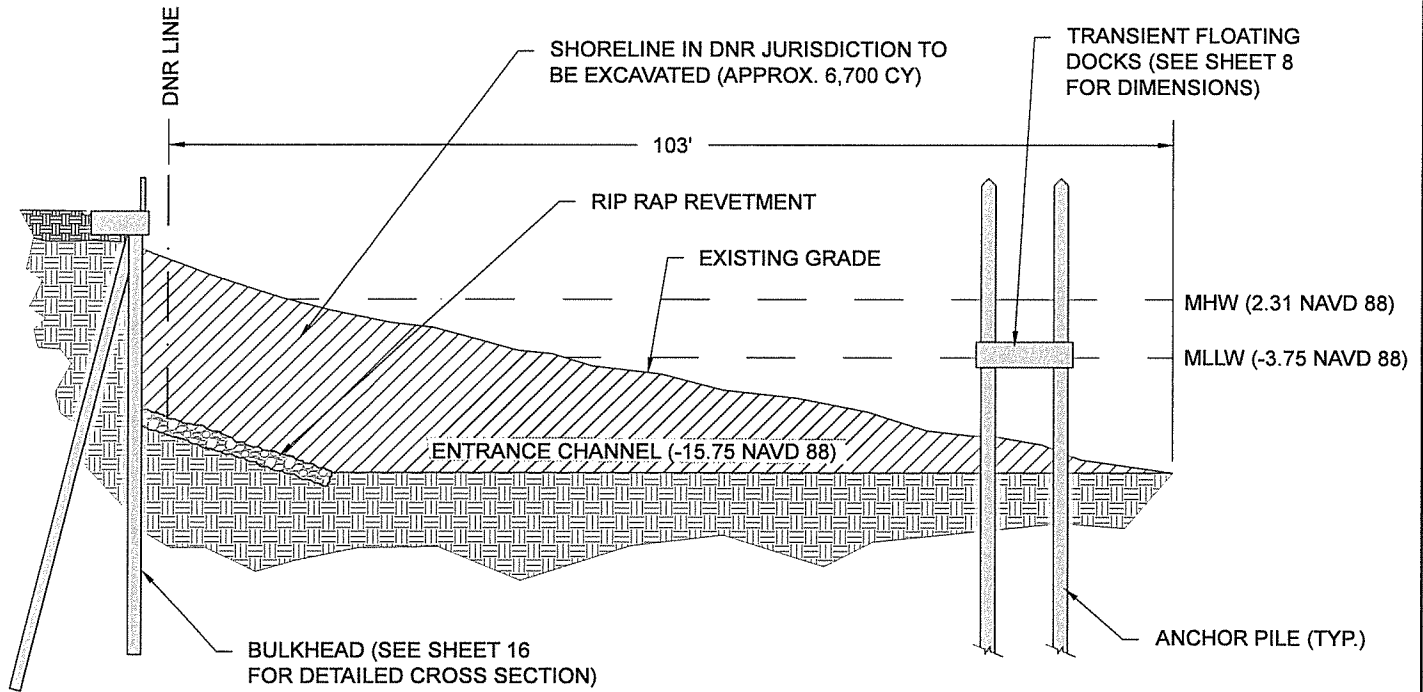
GA DNR

FOR PERMITTING PURPOSES ONLY. NOT FOR CONSTRUCTION.

<p>PURPOSE: VESSEL BERTHING AND MAINTENANCE          DATUM: MLW          APPLICATION BY: CAMDEN COUNTY JOINT DEVELOPMENT AUTHORITY          DATE: 06/14/18</p>	<p>WHARF ST. MARYS  <b>BULKHEAD CROSS SECTION AT HAUL-OUT</b>          CAMDEN COUNTY JDA          531 N. LEE STREET          KINGSLAND, GA 31548</p>	<p>PROPOSED: COMMERCIAL MARINA          IN: NORTH RIVER          AT: ST. MARY'S NORTH OF E. MEETING STREET PUBLIC BOAT LAUNCH          COUNTY OF: CAMDEN          STATE: GEORGIA</p>
--	--	--



RECEIVED  
 JUN 18 2018  
 GA DNR



**CROSS SECTION J - J**  
 SCALE: 1" = 20'



RECEIVED  
 JUN 18 2018  
 GA DNR

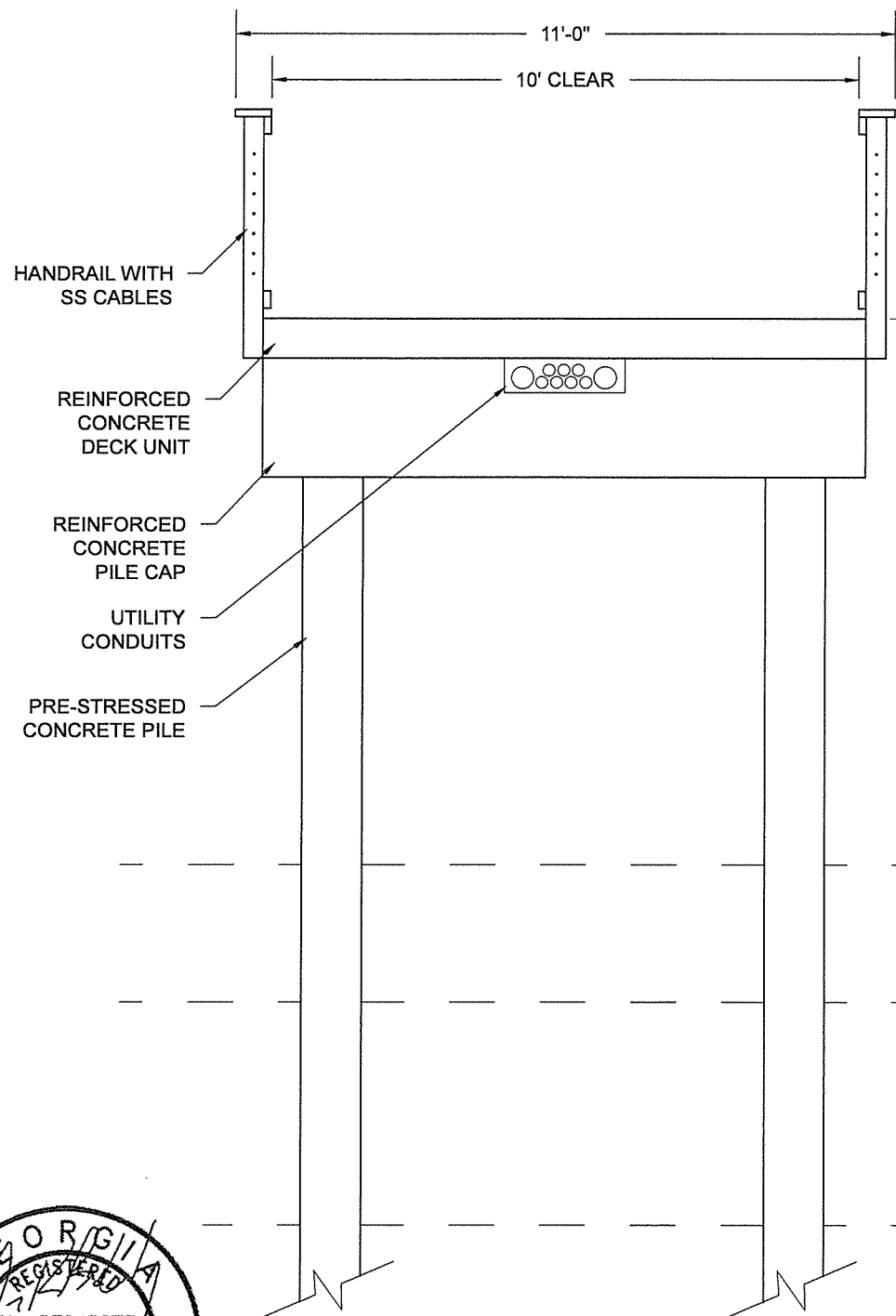
FOR PERMITTING PURPOSES ONLY. NOT FOR CONSTRUCTION.

PURPOSE: VESSEL BERTHING AND MAINTENANCE  
 DATUM: MLW  
 APPLICATION BY: CAMDEN COUNTY JOINT DEVELOPMENT AUTHORITY  
 DATE: 06/14/18

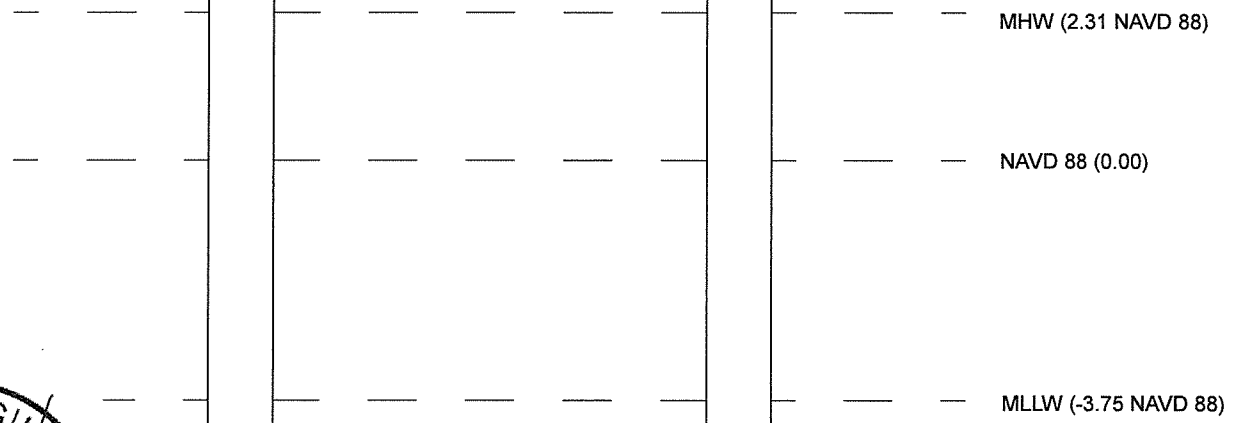
WHARF ST. MARYS  
 SHORELINE CROSS SECTION  
 EAST OF MARINA STORE  
 CAMDEN COUNTY JDA  
 531 N. LEE STREET  
 KINGSLAND, GA 31548

PROPOSED: COMMERCIAL MARINA  
 IN: NORTH RIVER  
 AT: ST. MARY'S NORTH OF E. MEETING STREET PUBLIC BOAT LAUNCH  
 COUNTY OF: CAMDEN  
 STATE: GEORGIA  
 SHEET 17

RECEIVED  
 JUN 18 2018  
 GA DNR



DECK ELEVATION VARIES:  
 11.50 NAVD 88 ON PIER TO  
 BOATYARD DOCKS IN  
 NORTH RIVER; 13.25 NAVD  
 88 ON PIERS TO  
 BOATYARD STAGING  
 DOCKS IN MARINA BASIN



RECEIVED  
 JUN 18 2018  
 GA DNR



**CROSS SECTION K - K**  
 SCALE: 1" = 3'

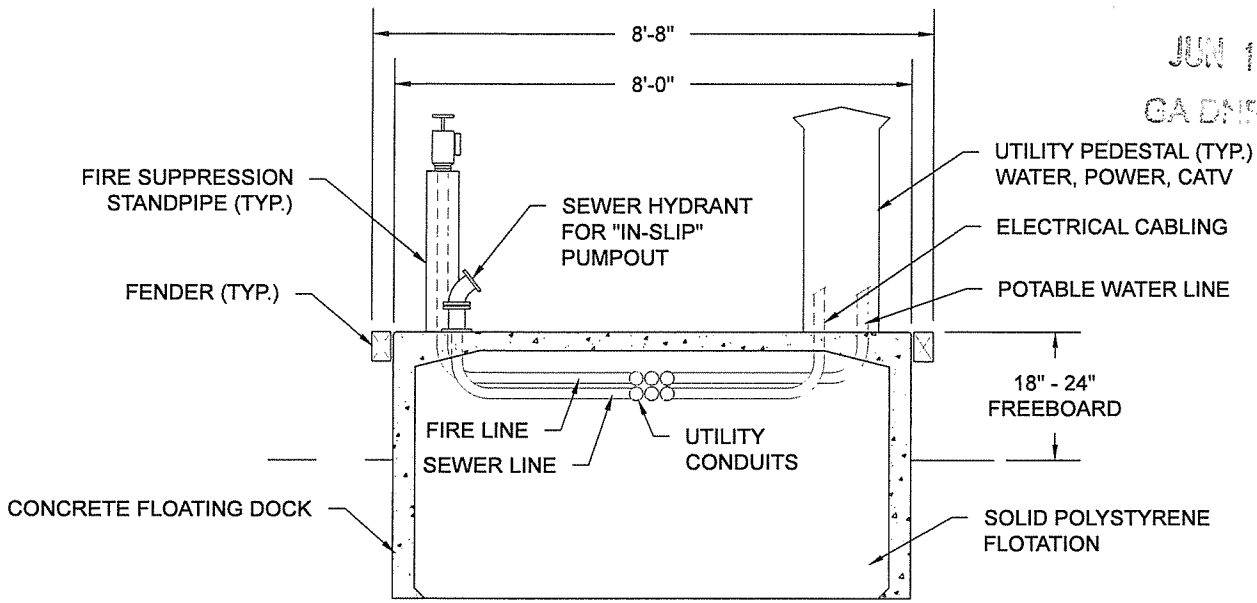
FOR PERMITTING PURPOSES ONLY. NOT FOR CONSTRUCTION.

PURPOSE: VESSEL BERTHING AND MAINTENANCE DATUM: MLW APPLICATION BY: CAMDEN COUNTY JOINT DEVELOPMENT AUTHORITY DATE: 06/14/18	WHARF ST. MARYS FIXED PIER CROSS SECTION CAMDEN COUNTY JDA 531 N. LEE STREET KINGSLAND, GA 31548	PROPOSED: COMMERCIAL MARINA IN: NORTH RIVER AT: ST. MARY'S NORTH OF E. MEETING STREET PUBLIC BOAT LAUNCH COUNTY OF: CAMDEN STATE: GEORGIA SHEET 18
---	---	---

RECEIVED

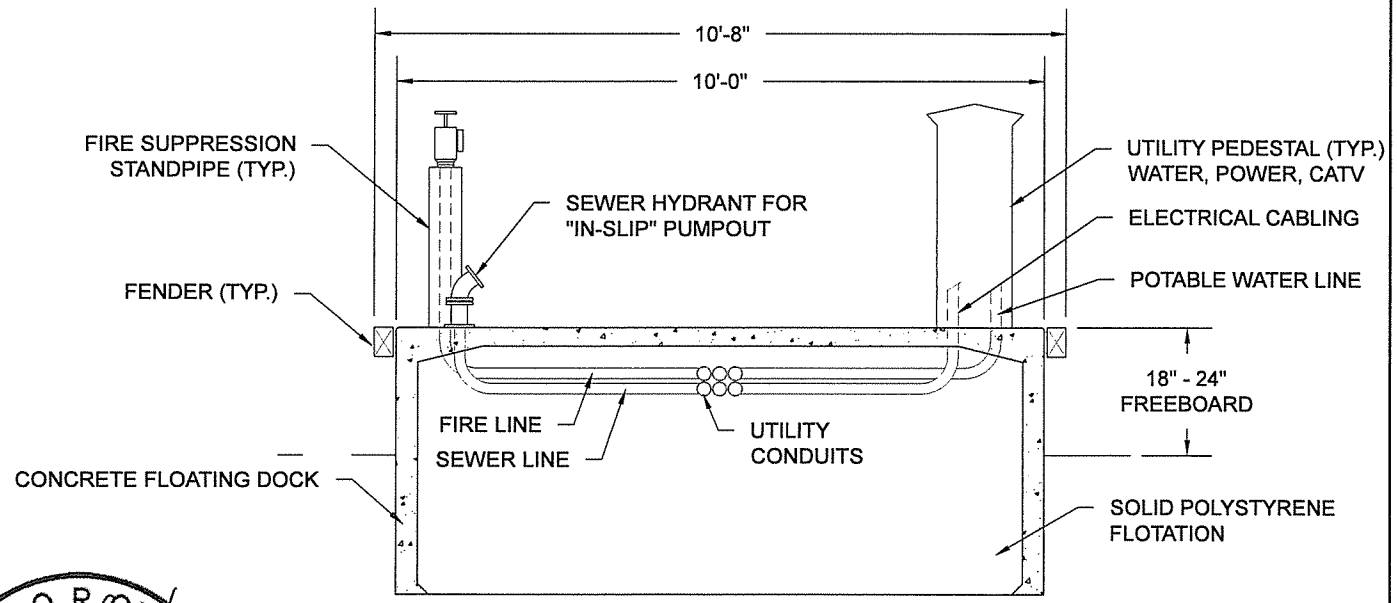
JUN 18 2018

GA DNR



TYPICAL CROSS SECTION - 8' WIDE FLOATING DOCK

SCALE: 1" = 3'



TYPICAL CROSS SECTION - 10' WIDE FLOATING DOCK

SCALE: 1" = 3'

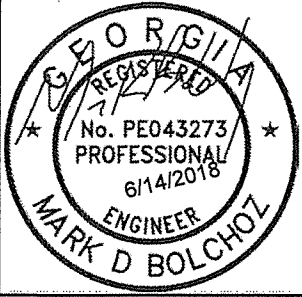
RECEIVED

JUN 18 2018

GA DNR

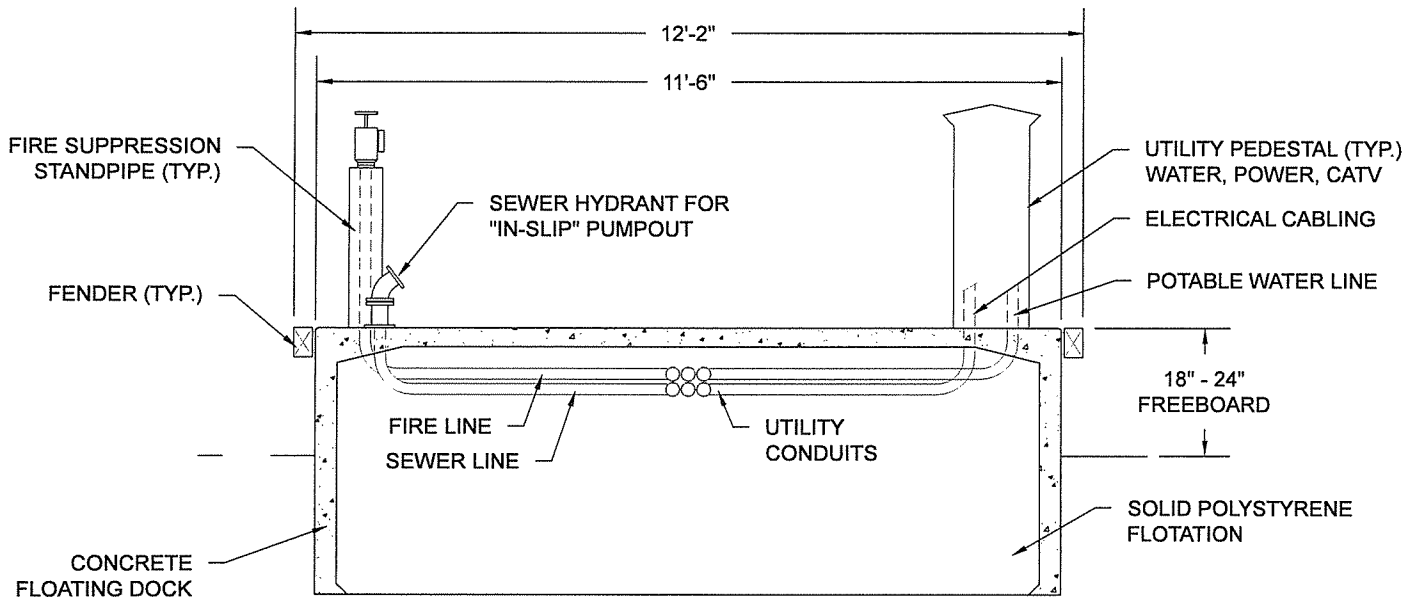
NOTE: FLOATING DOCK MATERIALS MAY VARY PURSUANT TO SELECTED FLOATING DOCK MANUFACTURER.

FOR PERMITTING PURPOSES ONLY. NOT FOR CONSTRUCTION.



PURPOSE: VESSEL BERTHING AND MAINTENANCE DATUM: MLW APPLICATION BY: CAMDEN COUNTY JOINT DEVELOPMENT AUTHORITY DATE: 06/14/18	WHARF ST. MARYS <b>TYPICAL FLOATING DOCK CROSS SECTIONS</b> CAMDEN COUNTY JDA 531 N. LEE STREET KINGSLAND, GA 31548	PROPOSED: COMMERCIAL MARINA IN: NORTH RIVER AT: ST. MARY'S NORTH OF E. MEETING STREET PUBLIC BOAT LAUNCH COUNTY OF: CAMDEN STATE: GEORGIA SHEET 19
---	---	---

RECEIVED  
 JUN 10 2013  
 GA DNR



**TYPICAL CROSS SECTION - 12' WIDE FLOATING DOCK**

SCALE: 1" = 3'

NOTE: FLOATING DOCK MATERIALS MAY VARY PURSUANT TO SELECTED FLOATING DOCK MANUFACTURER.



RECEIVED  
 JUN 10 2018  
 GA DNR

FOR PERMITTING PURPOSES ONLY. NOT FOR CONSTRUCTION.

PURPOSE: VESSEL BERTHING AND MAINTENANCE  
 DATUM: MLW  
 APPLICATION BY: CAMDEN COUNTY JOINT DEVELOPMENT AUTHORITY  
 DATE: 06/14/18

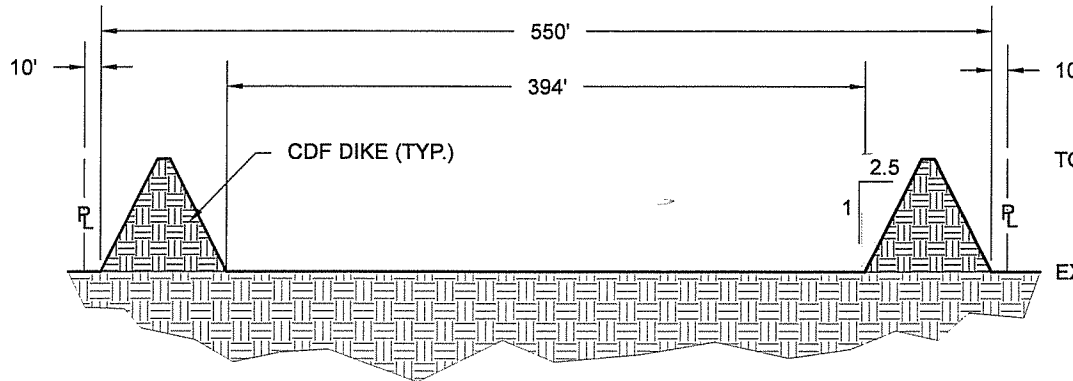
WHARF ST. MARYS  
 TYPICAL FLOATING DOCK CROSS SECTIONS  
 CAMDEN COUNTY JDA  
 531 N. LEE STREET  
 KINGSLAND, GA 31548

PROPOSED: COMMERCIAL MARINA  
 IN: NORTH RIVER  
 AT: ST. MARY'S NORTH OF E. MEETING STREET PUBLIC BOAT LAUNCH  
 COUNTY OF: CAMDEN  
 STATE: GEORGIA  
 SHEET 20

RECEIVED

JUN 18 2018

GA DNR



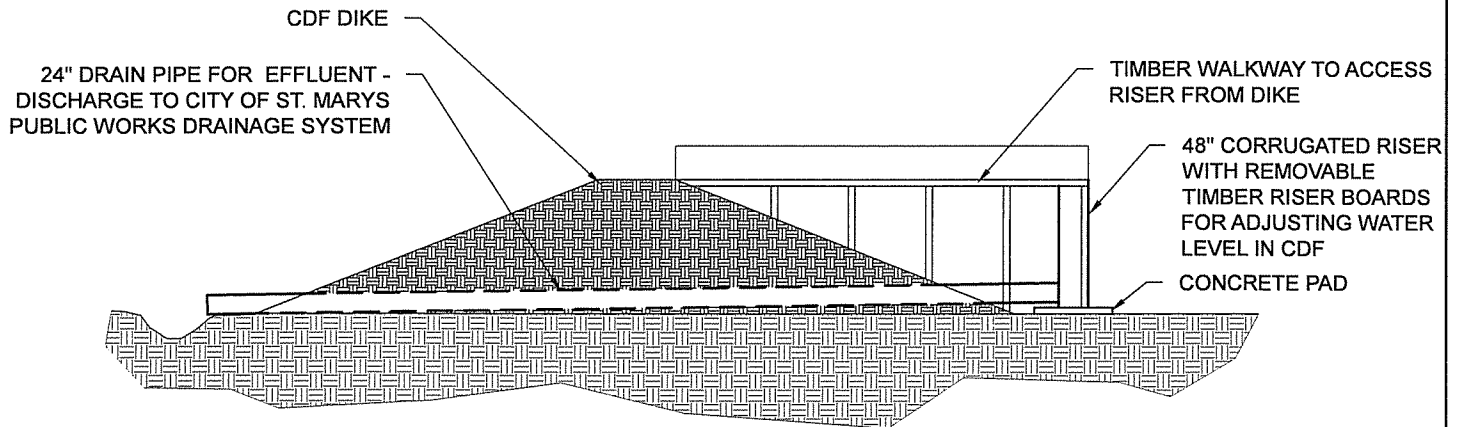
TOP OF DIKE: 24 NAVD 88

EXIST. GRADE: 10-11 NAVD 88

### CROSS SECTION L - L

H SCALE: 1" = 100'

V SCALE: 1" = 20'



### TYPICAL FLASHBOARD RISER SPILLWAY DETAIL

SCALE: 1" = 20'

RECEIVED

JUN 18 2018

GA DNR



FOR PERMITTING PURPOSES ONLY. NOT FOR CONSTRUCTION.

PURPOSE: VESSEL BERTHING AND MAINTENANCE  
 DATUM: MLW  
 APPLICATION BY: CAMDEN COUNTY JOINT DEVELOPMENT AUTHORITY

WHARF ST. MARYS  
 DREDGE CDF SECTION & SPILLWAY DETAIL

CAMDEN COUNTY JDA  
 531 N. LEE STREET  
 KINGSLAND, GA 31548

PROPOSED: COMMERCIAL MARINA

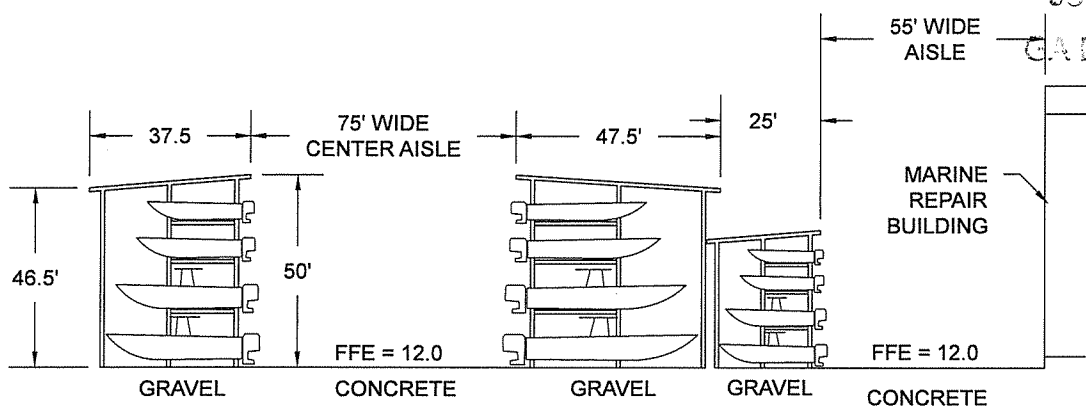
IN: NORTH RIVER  
 AT: ST. MARY'S NORTH OF E. MEETING STREET PUBLIC BOAT LAUNCH  
 COUNTY OF: CAMDEN

STATE: GEORGIA

SHEET 21

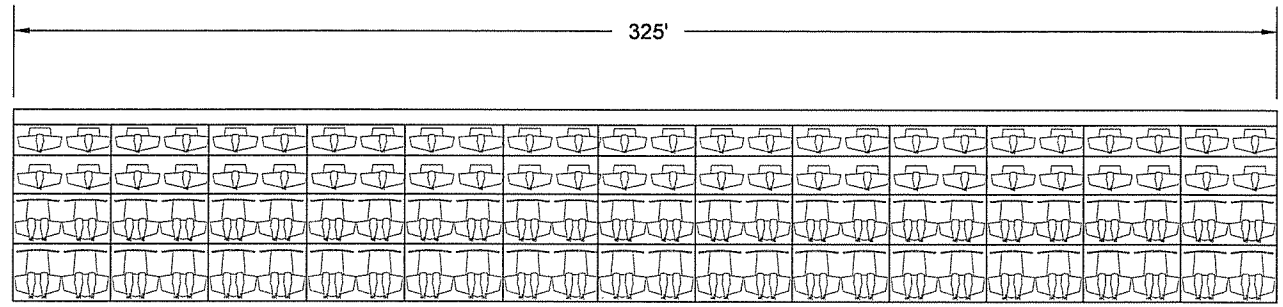
DATE: 06/14/18

RECEIVED  
JUN 18 2013  
GA DNR



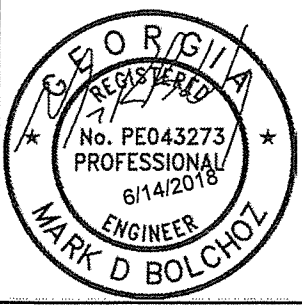
**TYPICAL CROSS SECTION - DRYSTACK STRUCTURE**

SCALE: 1" = 50'



**INTERIOR ELEVATION - DRYSTACK STRUCTURE (45' RACKS)**

SCALE: 1" = 50'



RECEIVED  
JUN 18 2013  
GA DNR

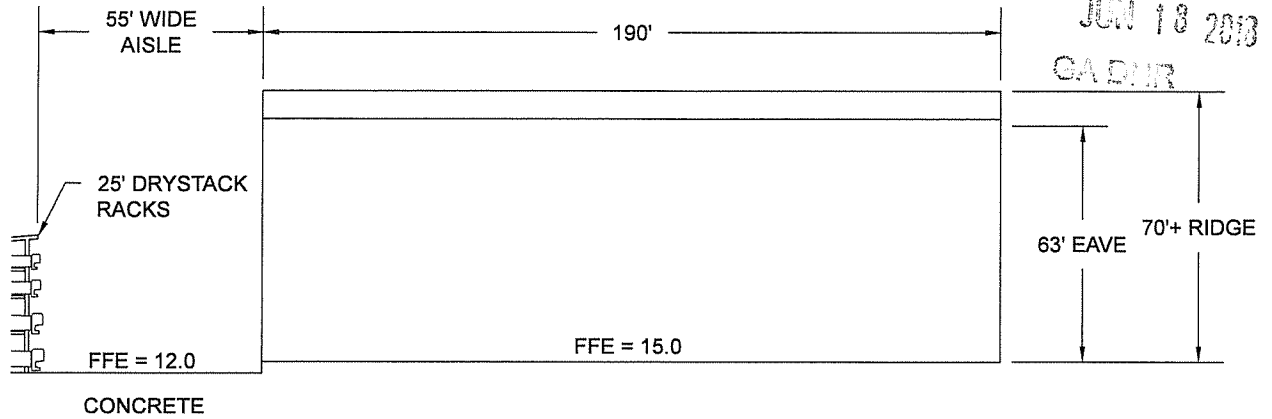
FOR PERMITTING PURPOSES ONLY. NOT FOR CONSTRUCTION.

<p>PURPOSE: VESSEL BERTHING AND MAINTENANCE          DATUM: MLW          APPLICATION BY: CAMDEN COUNTY JOINT DEVELOPMENT AUTHORITY          DATE: 06/14/18</p>	<p>WHARF ST. MARYS  <b>DRYSTACK CROSS SECTION &amp; ELEVATION</b>          CAMDEN COUNTY JDA          531 N. LEE STREET          KINGSLAND, GA 31548</p>	<p>PROPOSED: COMMERCIAL MARINA          IN: NORTH RIVER          AT: ST. MARY'S NORTH OF E. MEETING STREET PUBLIC BOAT LAUNCH          COUNTY OF: CAMDEN          STATE: GEORGIA</p>
--	--	--

RECEIVED

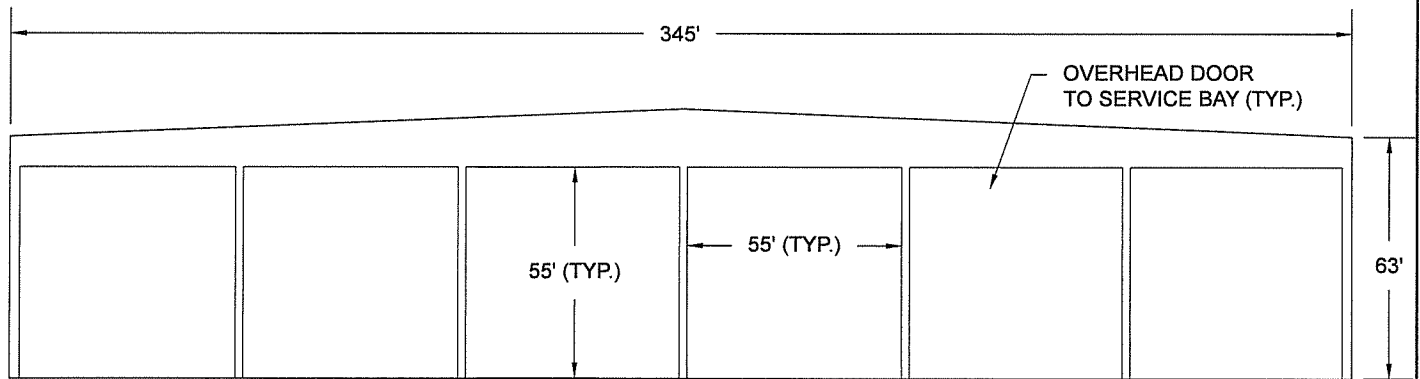
JUN 18 2018

GA DNR



TYPICAL CROSS SECTION - MARINE REPAIR STRUCTURE

SCALE: 1" = 50'



EAST ELEVATION - MARINE REPAIR STRUCTURE

SCALE: 1" = 50'



RECEIVED

JUN 18 2018

GA DNR

FOR PERMITTING PURPOSES ONLY. NOT FOR CONSTRUCTION.

PURPOSE: VESSEL BERTHING AND MAINTENANCE  
 DATUM: MLW  
 APPLICATION BY: CAMDEN COUNTY JOINT DEVELOPMENT AUTHORITY

WHARF ST. MARYS  
**MARINE REPAIR CROSS SECTION & ELEVATION**  
 CAMDEN COUNTY JDA  
 531 N. LEE STREET  
 KINGSLAND, GA 31548

PROPOSED: COMMERCIAL MARINA  
 IN: NORTH RIVER  
 AT: ST. MARY'S NORTH OF E. MEETING STREET PUBLIC BOAT LAUNCH  
 COUNTY OF: CAMDEN  
 STATE: GEORGIA

DATE: 06/14/18

SHEET 23